

ARCHITECTS STAMP:

CONSULTANT:

CONSULTANTS STAMP:

AUTHORITY APPROVAL:

IDENTIFICATION STAMP
DIV. OF THE STATE ARCHITECT

APPL

AC: FLS. SS.
DATE:

SCHOOL DISTRICT:

GLENDALE
UNIFIED
SCHOOL
DISTRICT

PROJECT:

VERDUGO
WOODLANDS
ELEMENTARY
PLAYGROUND
STRIPING

JOB NUMBER:
DATE: 04/10/18

REVISION: DATE: 4-20-18

REVISION: DATE:

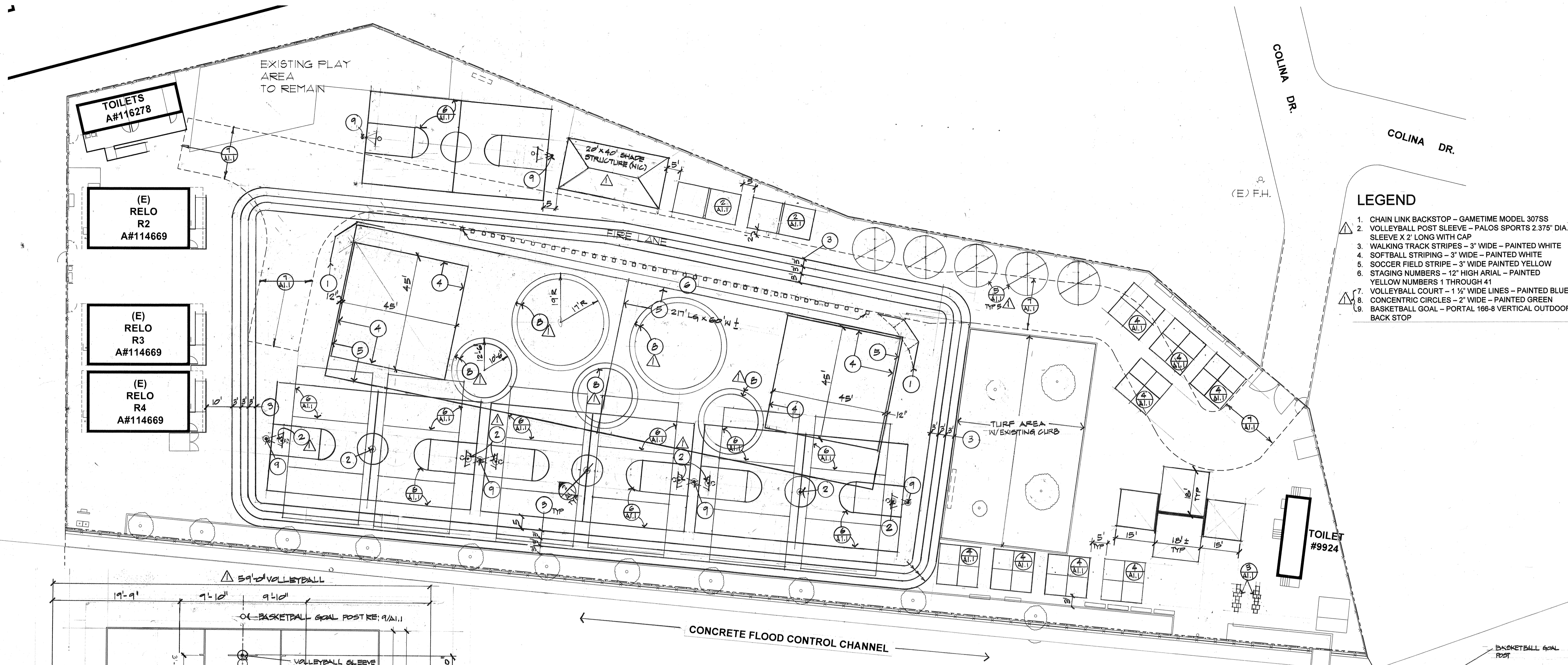
REVISION: DATE:

DRAWING TITLE:

OVERALL SITE
PLAN

DRAWING NO.:

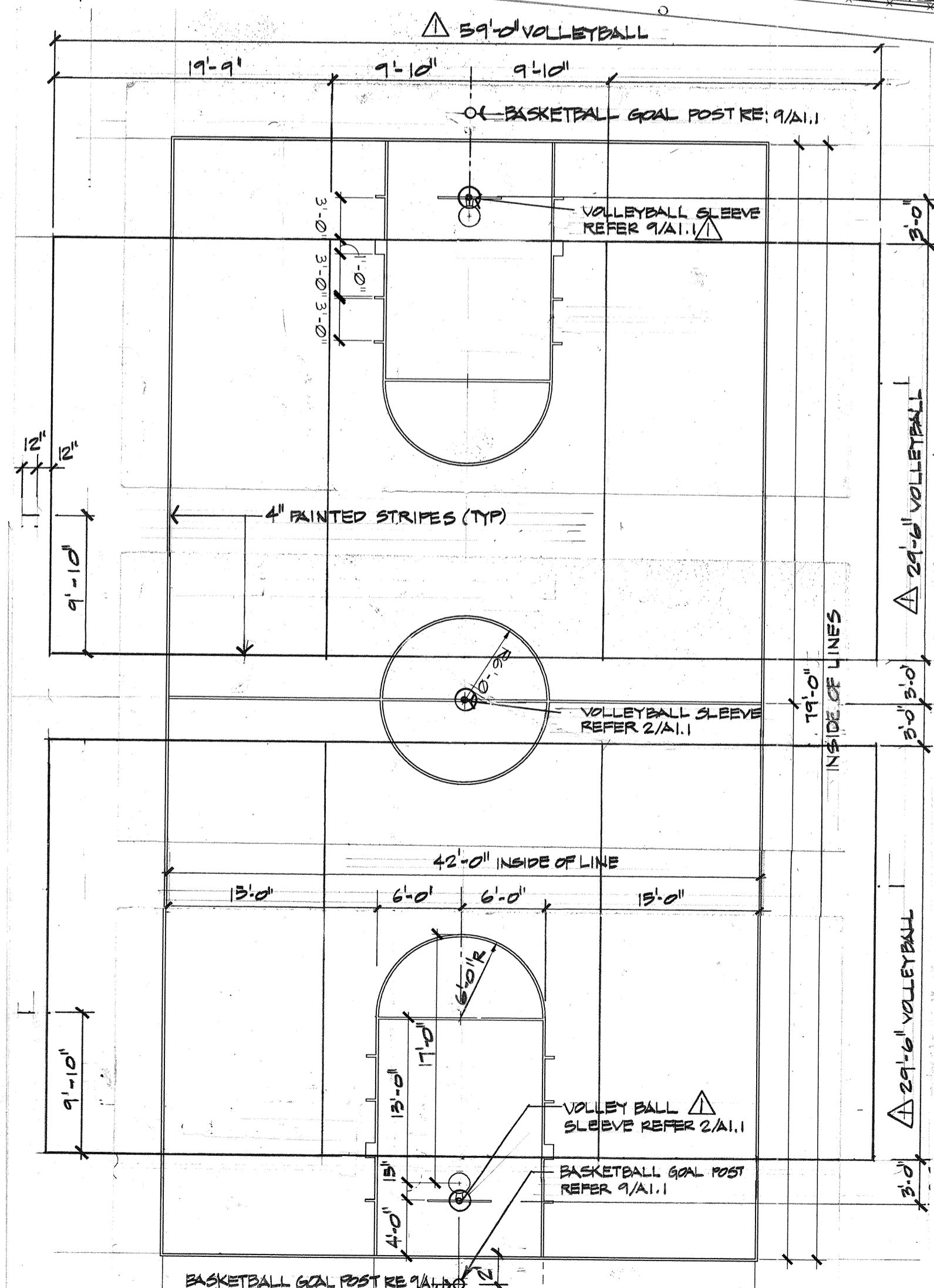
A1.1



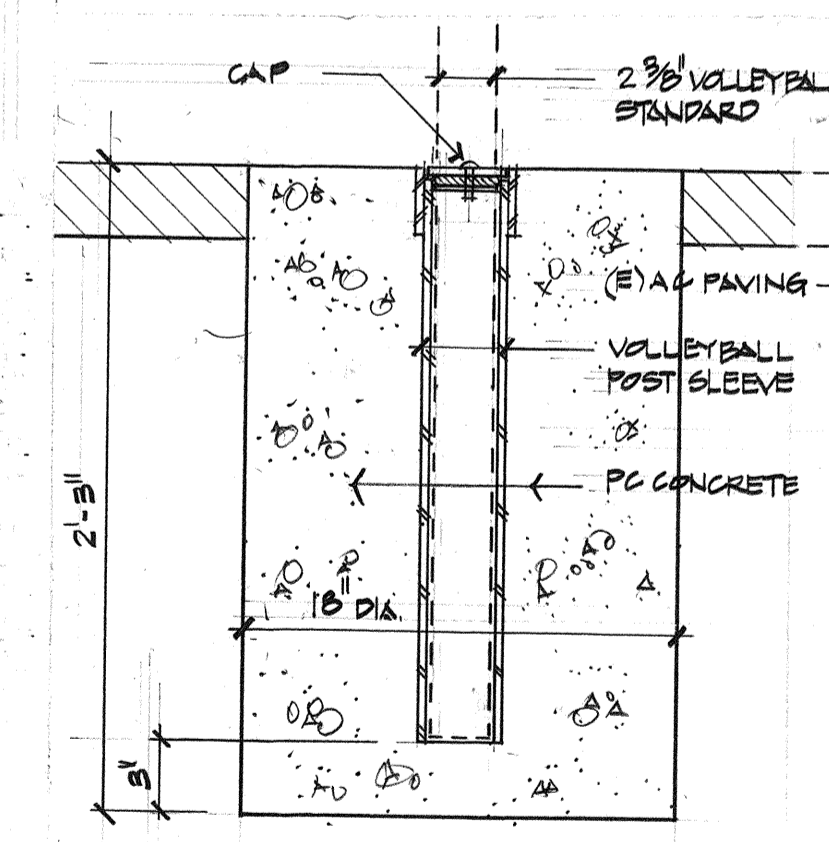
- LEGEND**
- CHAIN LINK BACKSTOP - GAMETIME MODEL 307SS
 - VOLLEYBALL POST SLEEVE - PALOS SPORTS 2.375" DIA. SLEEVE X 2' LONG WITH CAP
 - WALKING TRACK STRIPES - 3" WIDE - PAINTED WHITE
 - SOFTBALL STRIPING - 3" WIDE - PAINTED WHITE
 - SOCCER FIELD STRIPE - 3" WIDE PAINTED YELLOW
 - STAGING NUMBERS - 12" HIGH ARIAL - PAINTED YELLOW NUMBERS 1 THROUGH 41
 - VOLLEYBALL COURT - 1 1/2" WIDE LINES - PAINTED BLUE
 - CONCENTRIC CIRCLES - 2" WIDE - PAINTED GREEN
 - BASKETBALL GOAL - PORTAL 166-8 VERTICAL OUTDOOR BACK STOP

1 OVERALL SITE PLAN

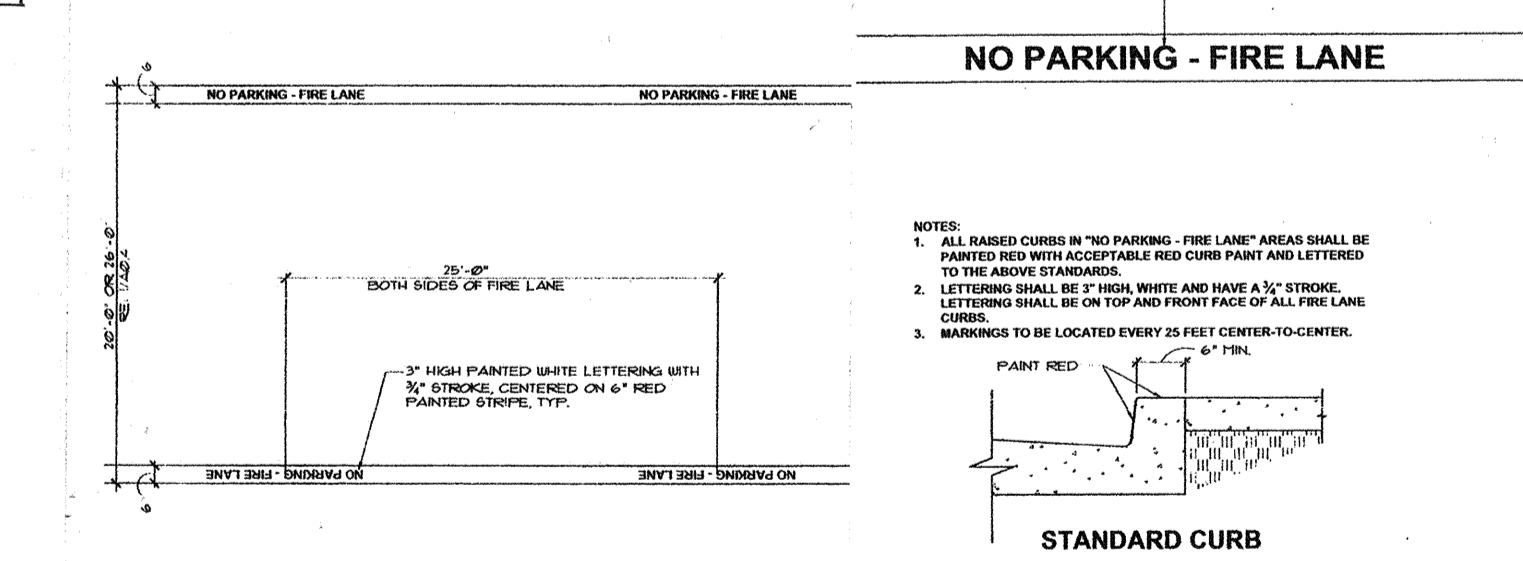
SCALE: 1" = 20'-0"



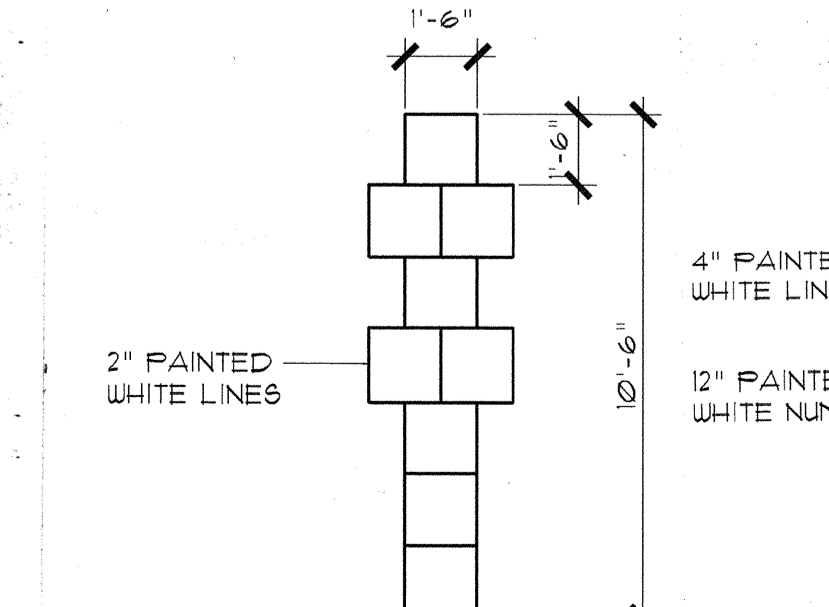
6 BASKETBALL COURT AND VOLLEYBALL COURT
SCALE: 1/8" = 1'-0"



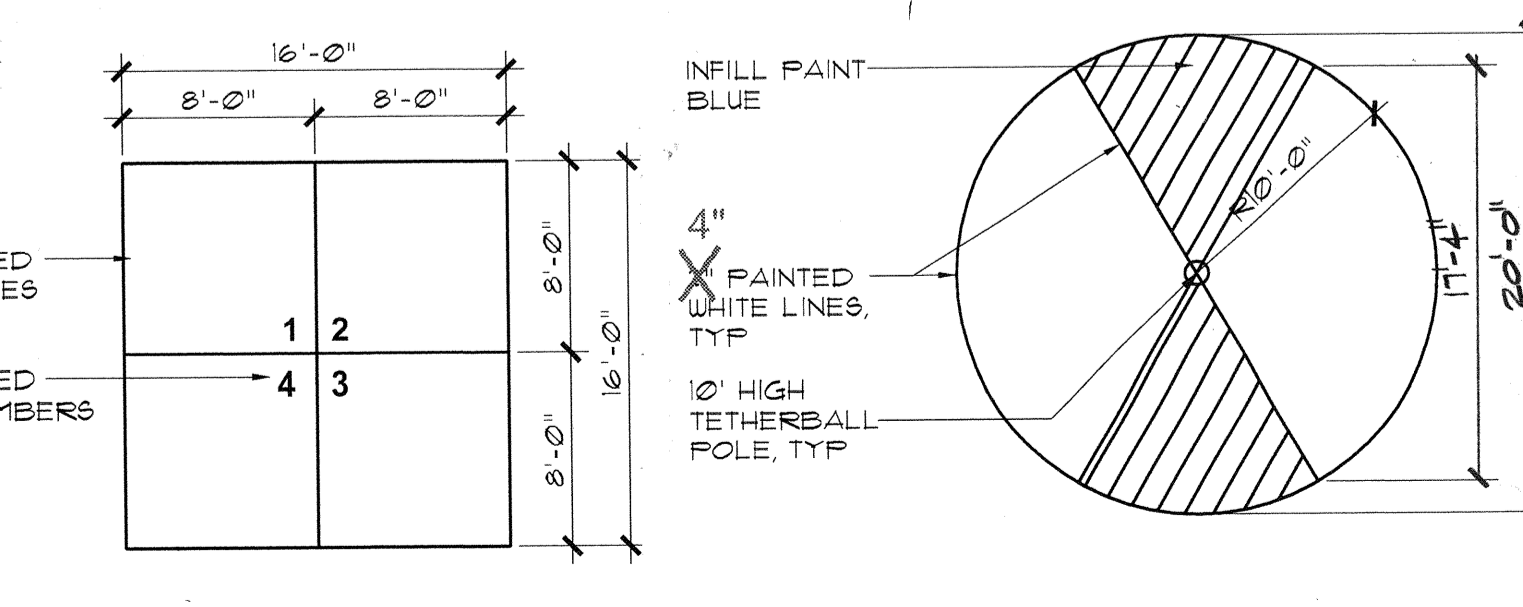
2 DETAIL VOLLEYBALL POLE SLEEVE
SCALE: 1 1/2" = 1'-0"



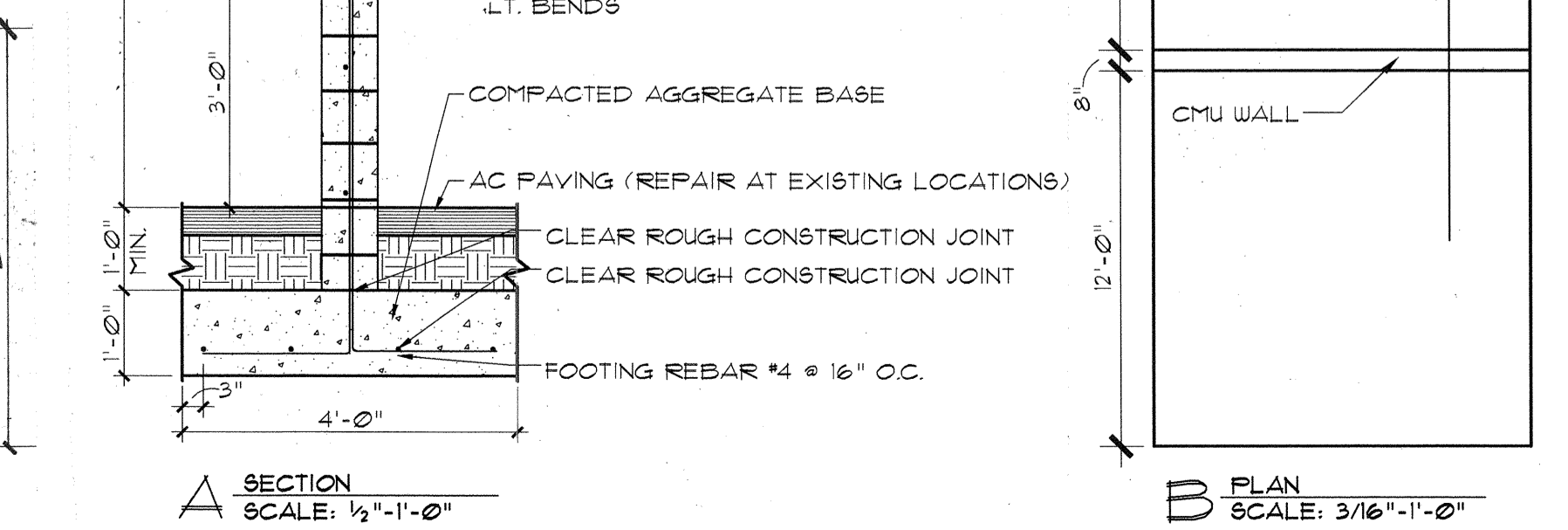
7 DETAIL FIRE LANE STRIPING **8 FIRE LANE CURB**
SCALE: NONE



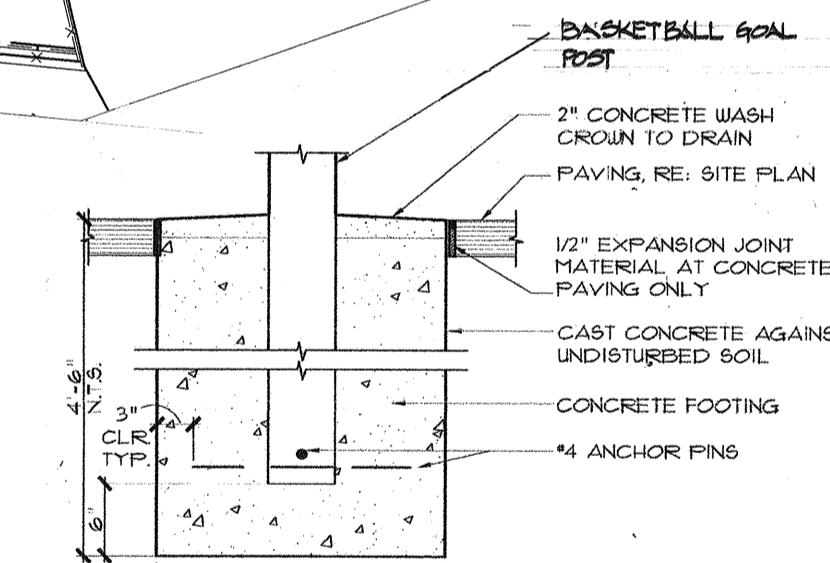
3 HOPSCOTCH
SCALE: 1/4" = 1'-0"



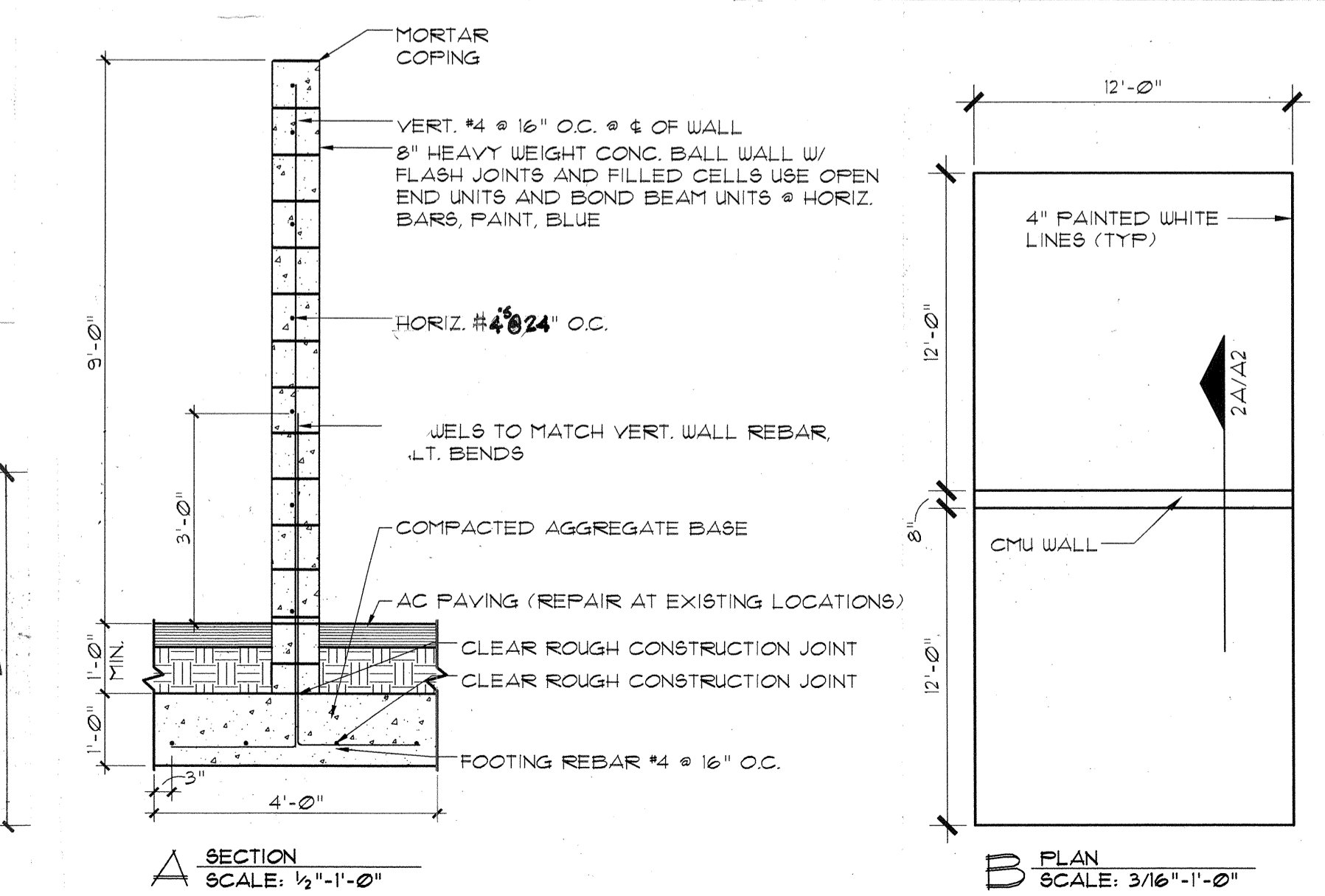
4 4 SQUARE COURT
SCALE: 1/8" = 1'-0"



5 TETHERBALL COURT
SCALE: 1/8" = 1'-0"



9 DETAIL BASKETBALL GOAL POST
SCALE: 1/2" = 1'-0"



2 CMU BALL WALL
SCALE: AS NOTED