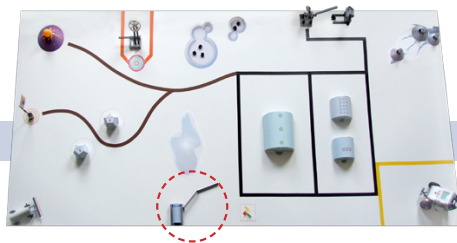
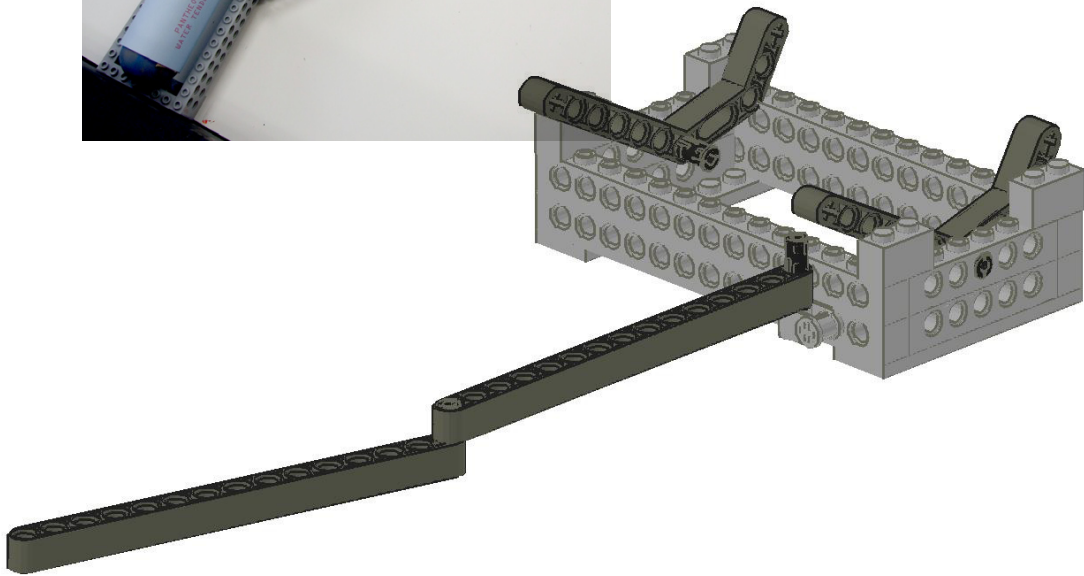
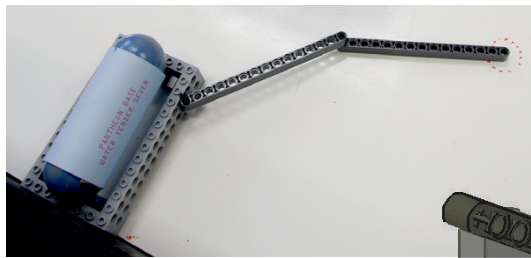


D E E P S P A C E
TERRAFORMERS

Water Tender

Building Instructions



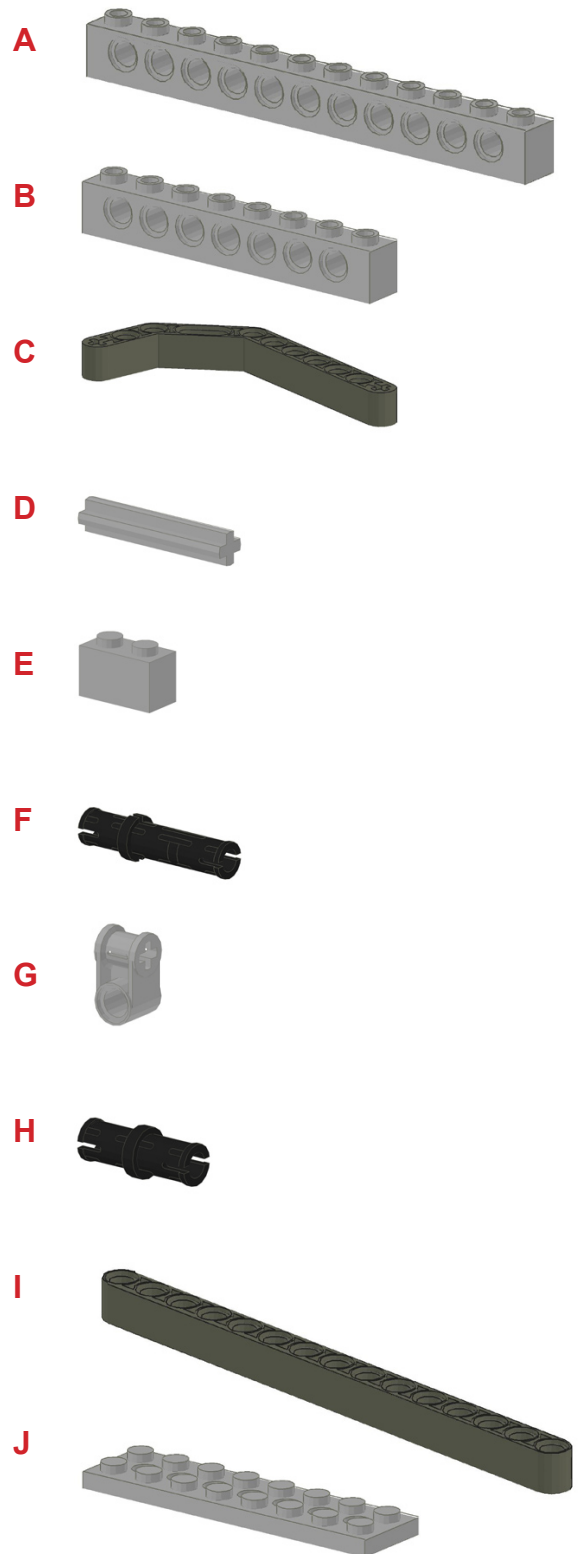
Water Tender

Materials

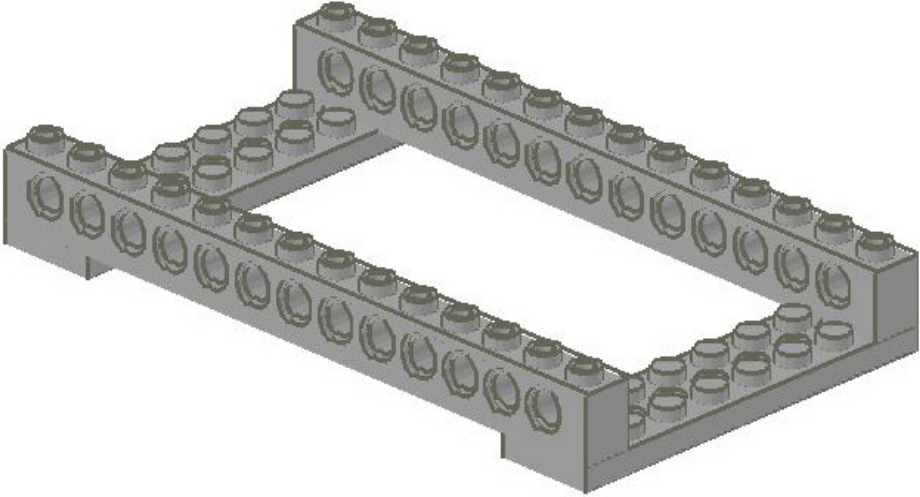
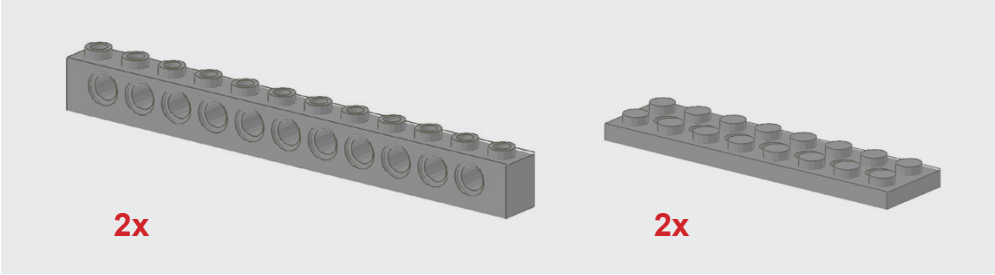
- | | | |
|----|-----------------------------------|----------|
| 4X | TECHNIC Brick 1 by 12 with Holes | A |
| 4X | TECHNIC Brick 1 by 8 with Holes | B |
| 2X | TECHNIC Beam 11.5 Liftarm Bent | C |
| 1X | TECHNIC Axle 3 | D |
| 4X | TECHNIC Brick 1 by 2 | E |
| 3X | TECHNIC Pin Long with Friction | F |
| 2X | TECHNIC Axle Joiner Perpendicular | G |
| 1X | TECHNIC Pin with Friction | H |
| 2X | TECHNIC Beam 15 | I |
| 2X | TECHNIC Plate 2 by 8 with Holes | J |

Additional materials:

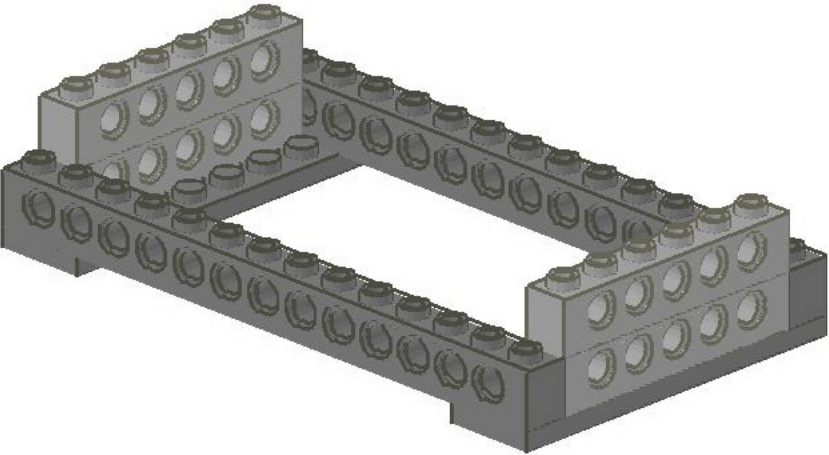
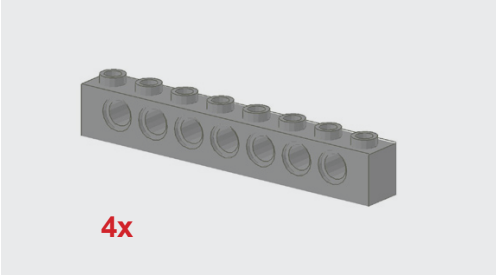
- 1 cardboard tube from paper towel roll
- 2 ping pong balls (paint blue)
- Water Tender paper theming



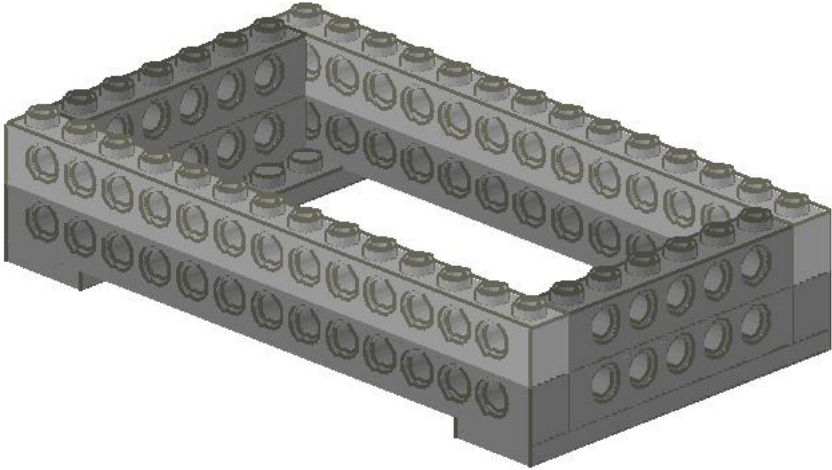
One



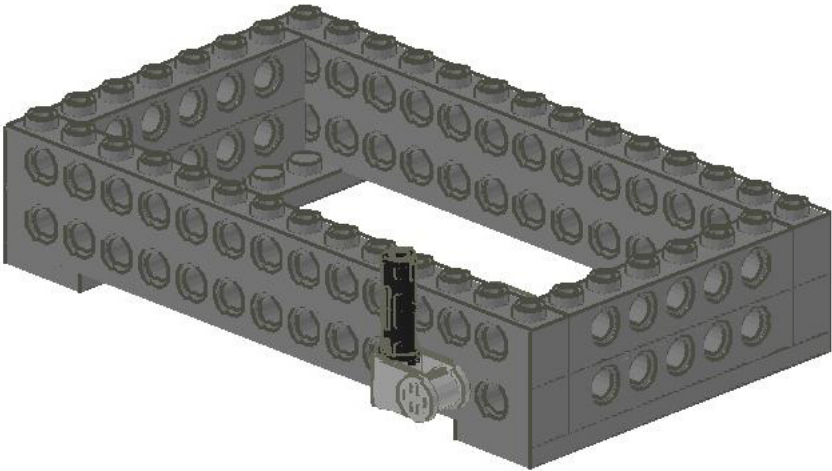
Two



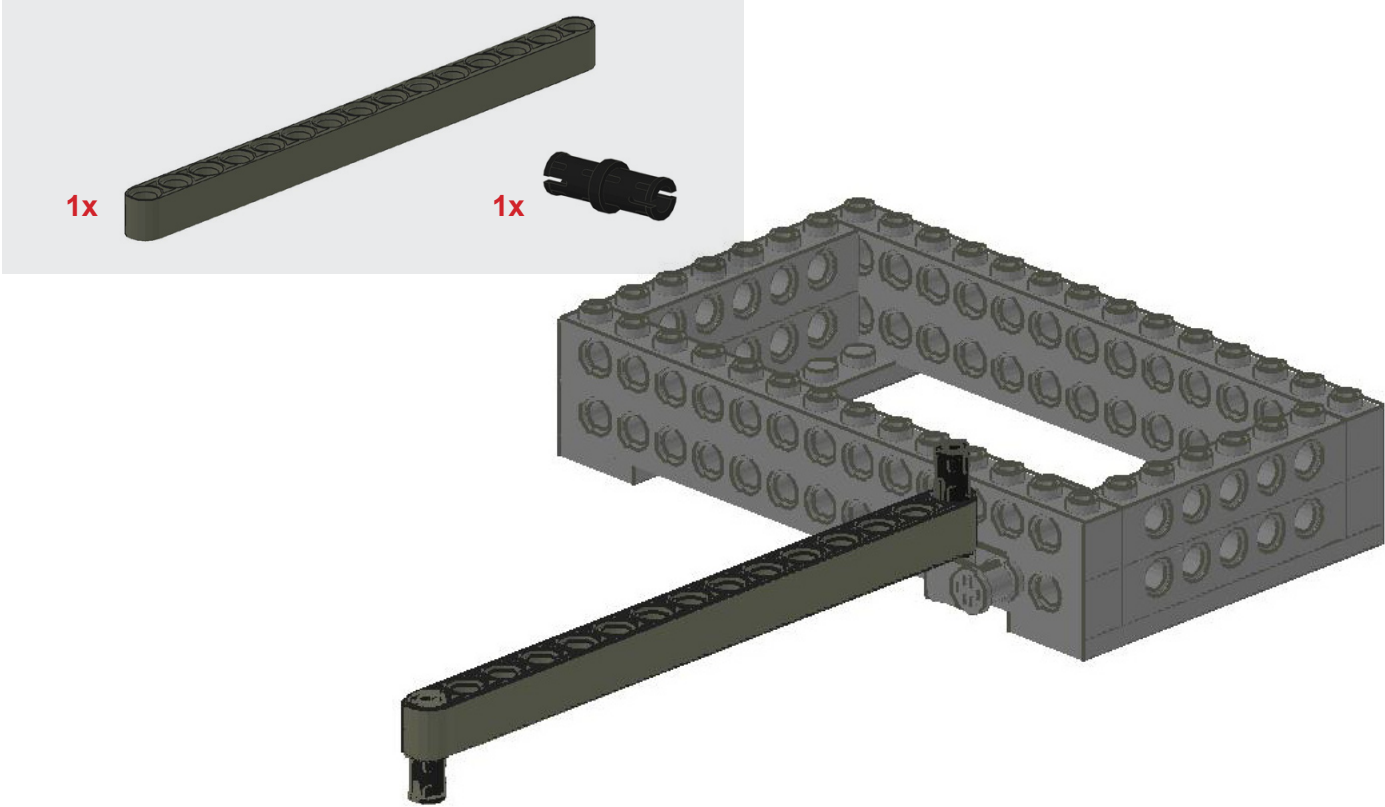
Three



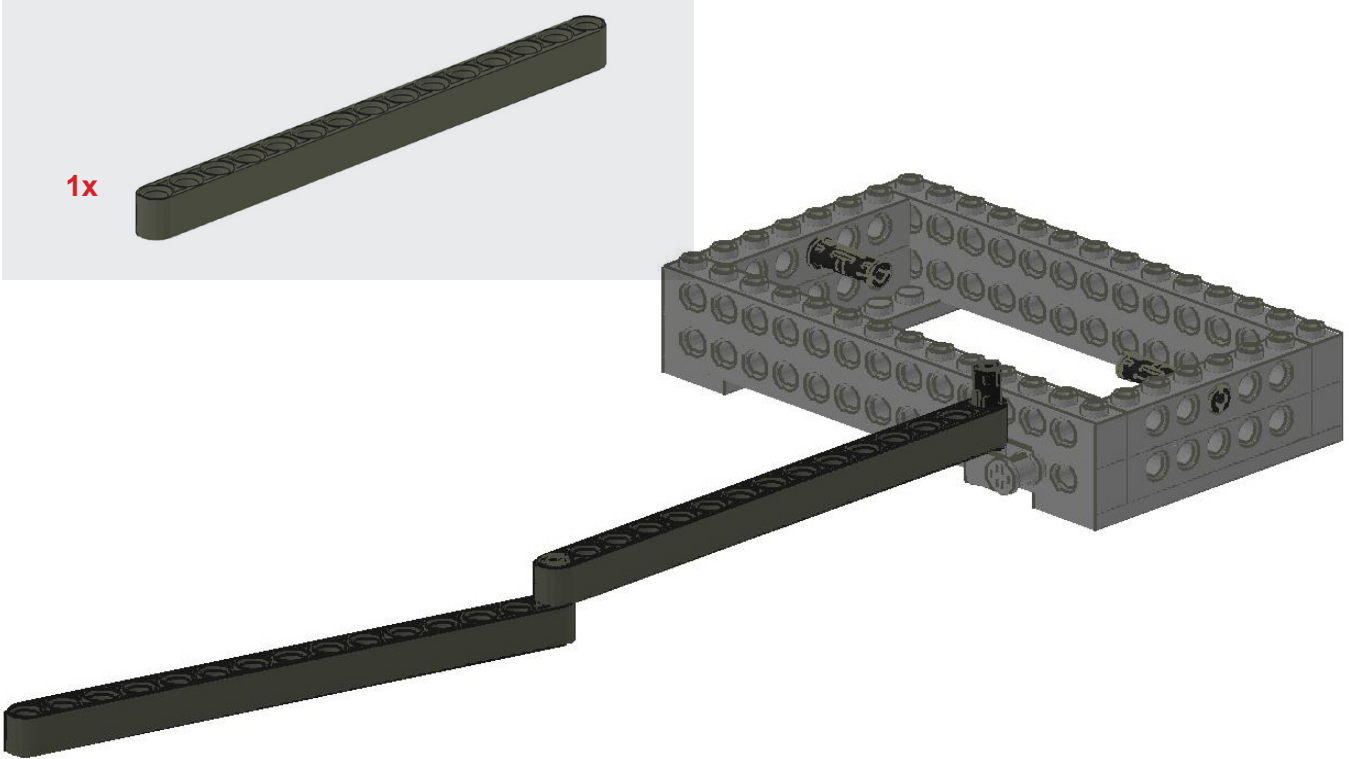
Four



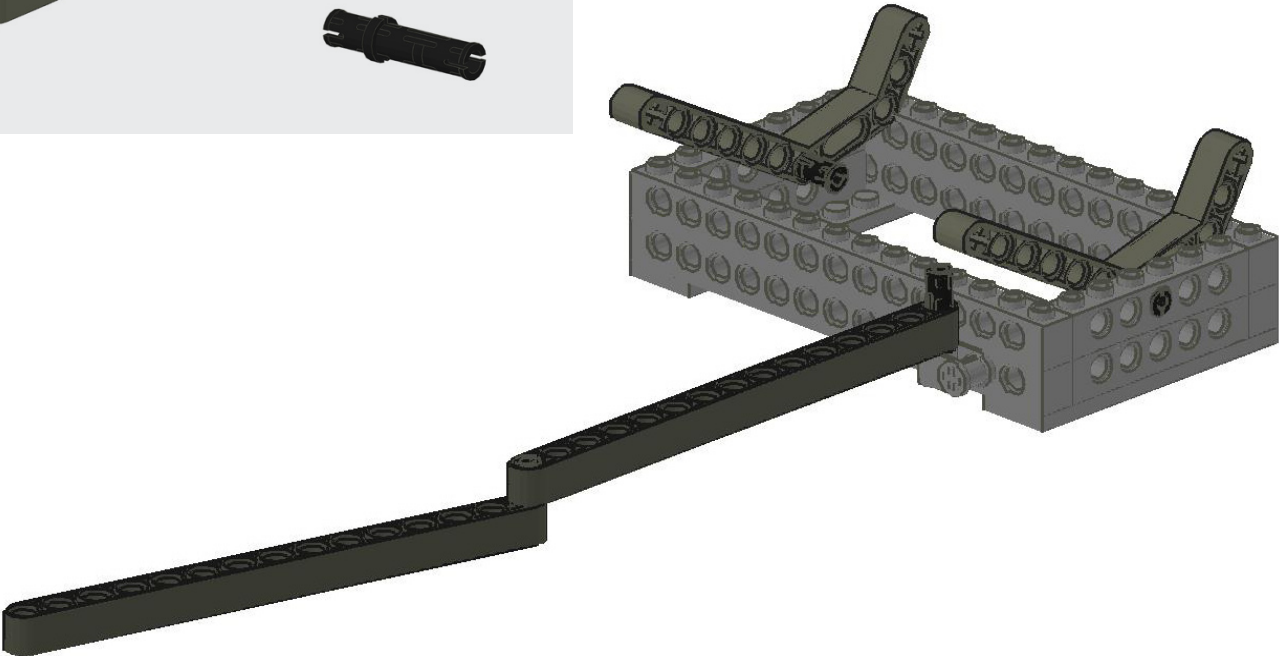
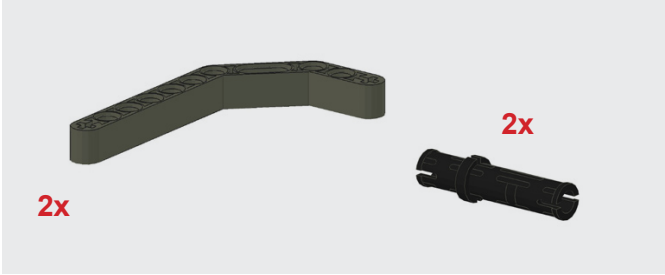
Five



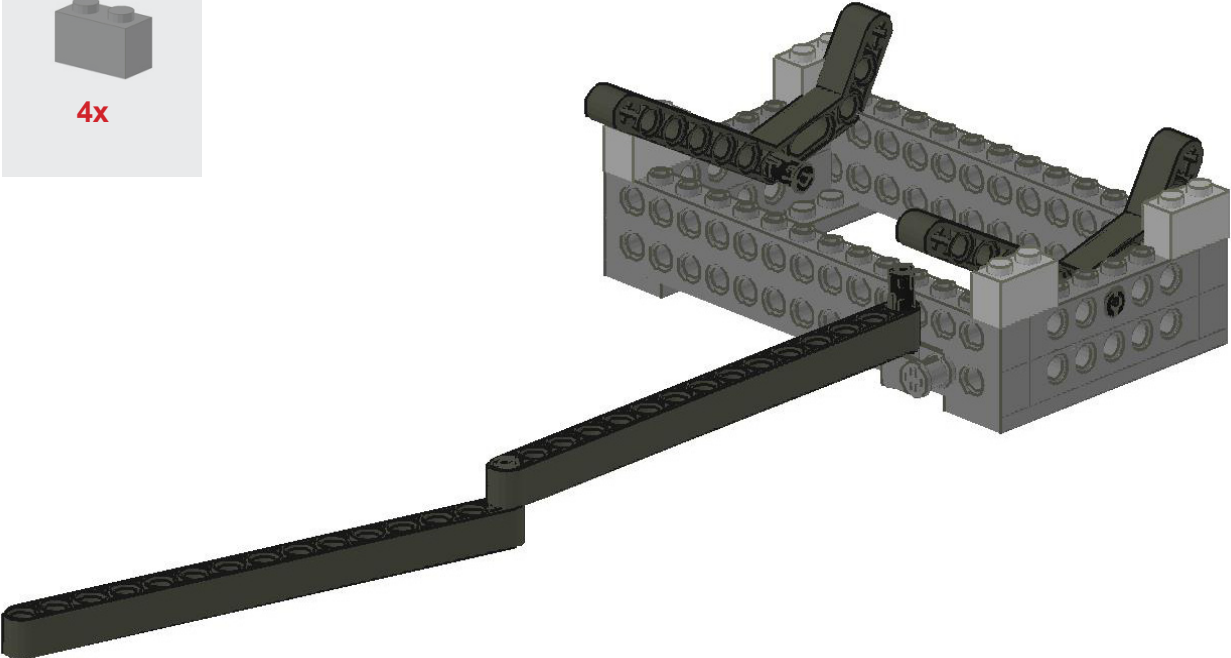
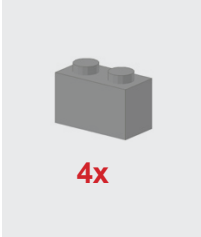
Six



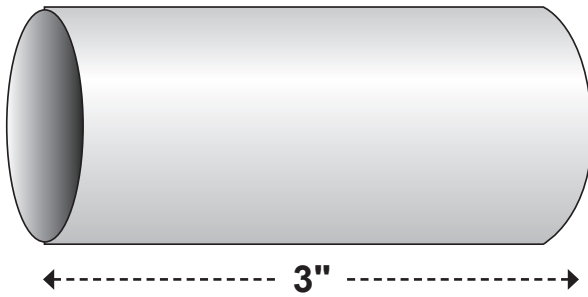
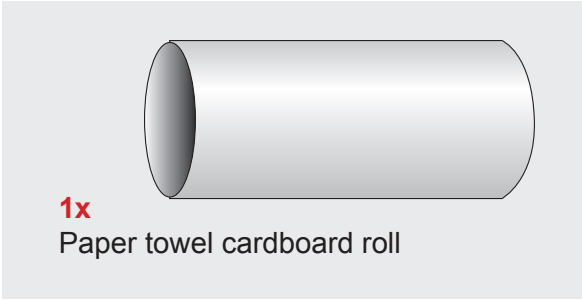
Seven



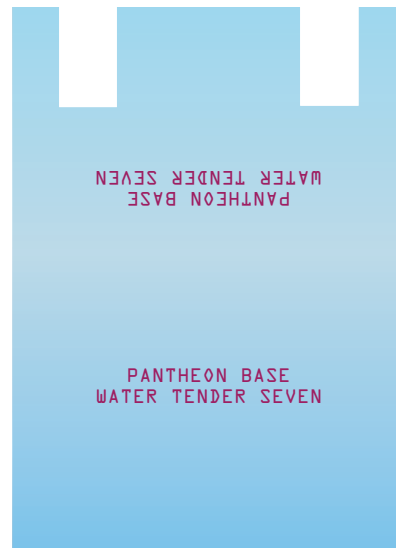
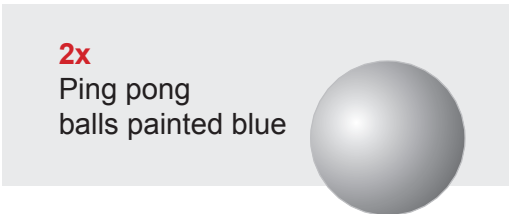
Eight



Nine



Ten



Wrap paper theming around tube and secure with tape.
The Water Tender is now complete.