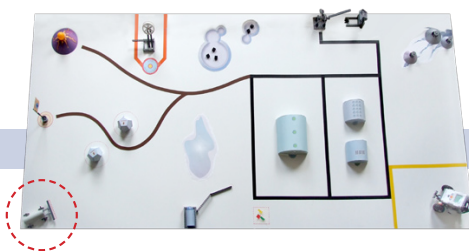
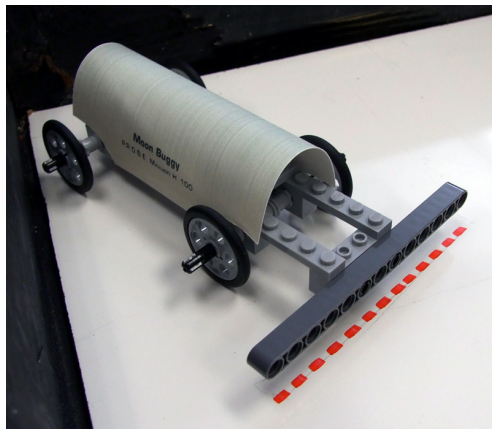
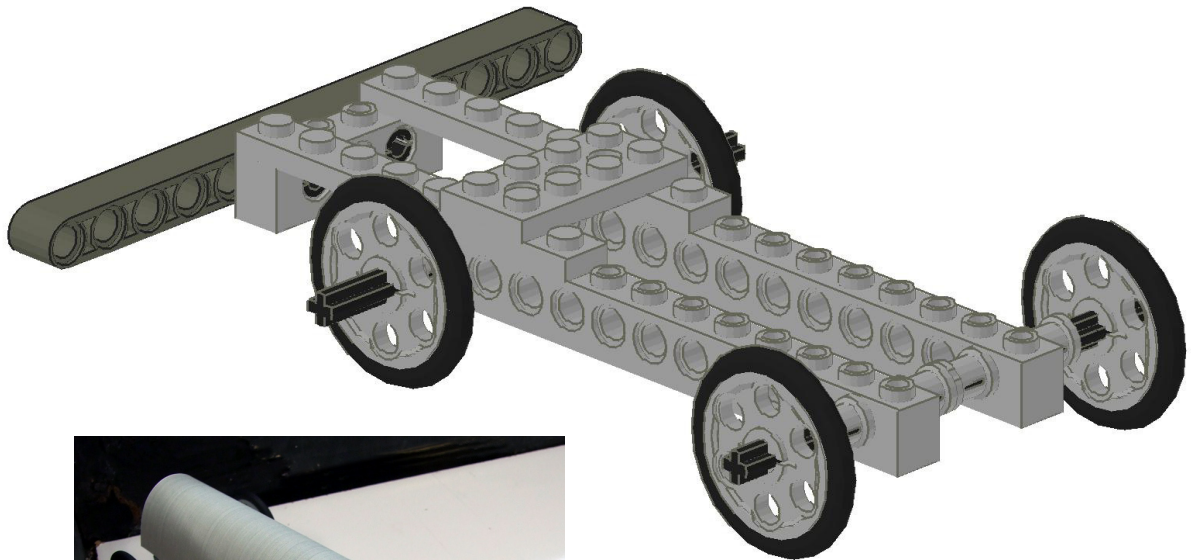


D E E P S P A C E  
**TERRAFORMERS**

# Moon Buggy

Building Instructions



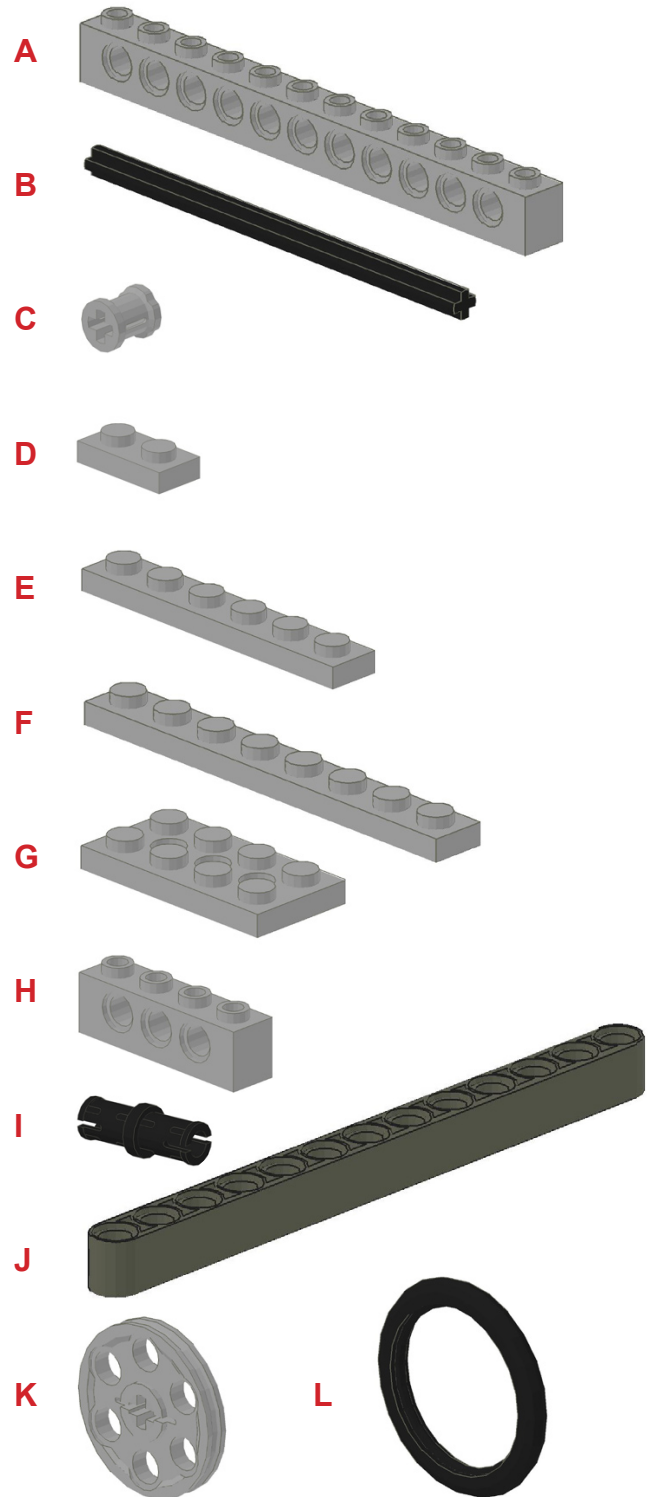
# Moon Buggy

## Materials

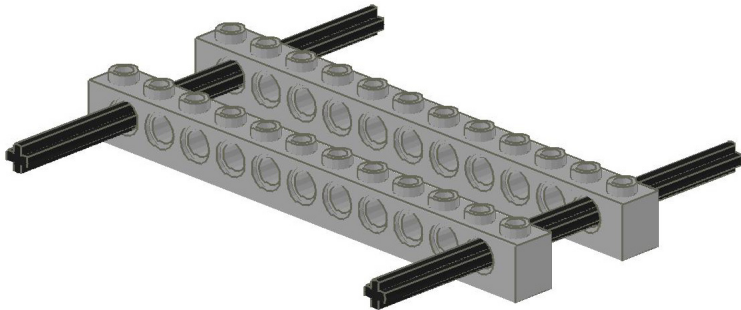
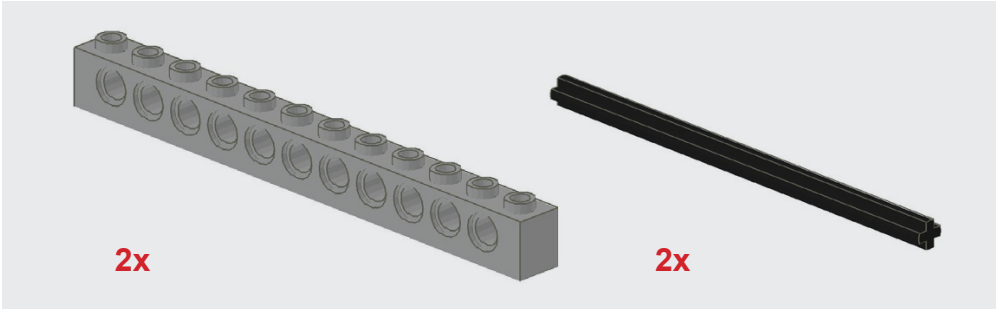
- 2X** TECHNIC Brick 1 by 12 with Holes **A**
- 2X** TECHNIC Axle 10 **B**
- 8X** TECHNIC Bush **C**
- 1X** Plate 1 x 2 **D**
- 1X** Plate 1 x 6 **E**
- 1X** Plate 1 x 8 **F**
- 1X** TECHNIC Plate 2 x 4 with Holes **G**
- 1X** TECHNIC Brick 1 x 4 with Holes **H**
- 2X** TECHNIC Pin with Friction **I**
- 1X** TECHNIC Beam 13 **J**
- 4X** TECHNIC Wedge Belt Wheel **K**
- 4X** TECHNIC Wedge Belt Wheel Tyre **L**

**Additional materials:**

Moon Buggy paper theming

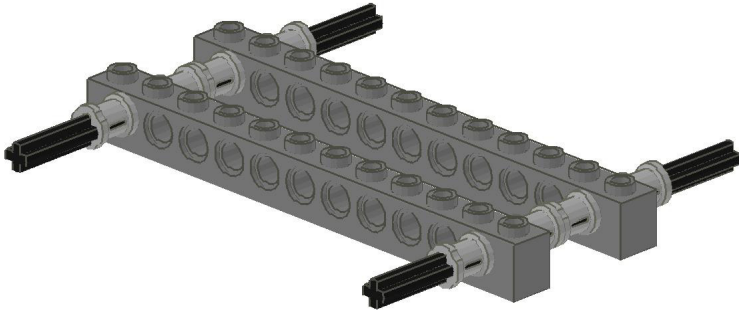


One

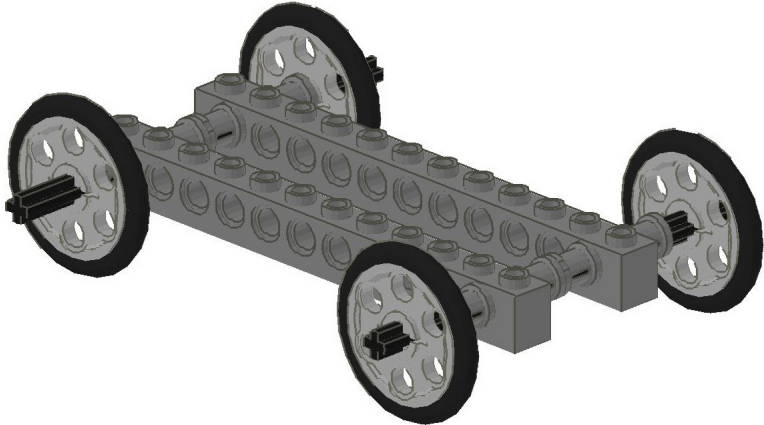


---

Two

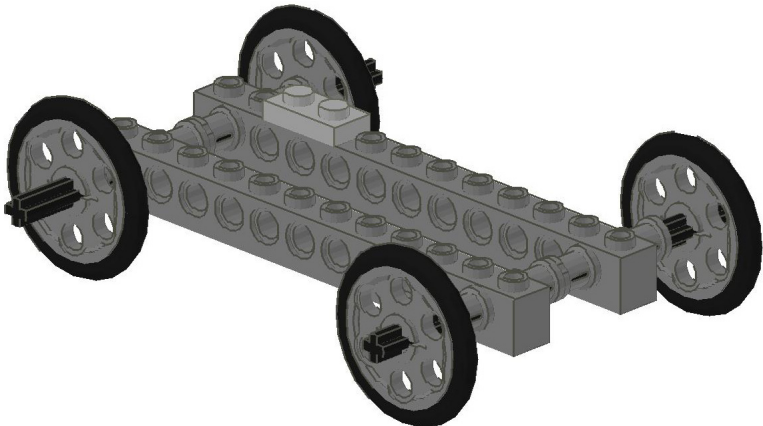
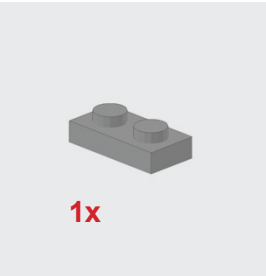


### Three

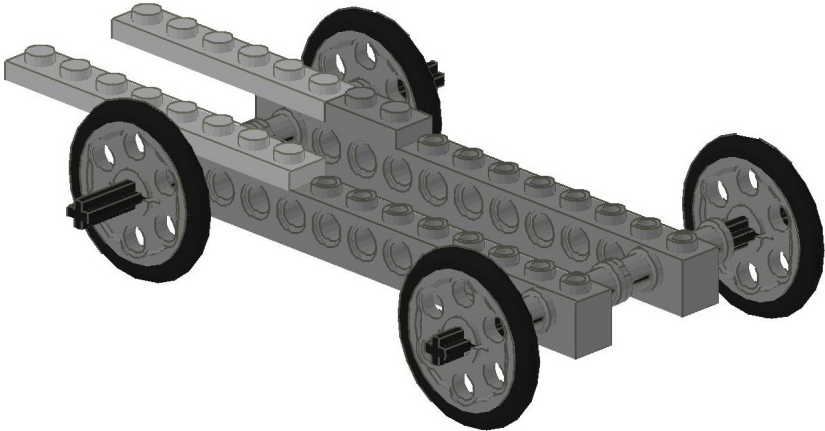
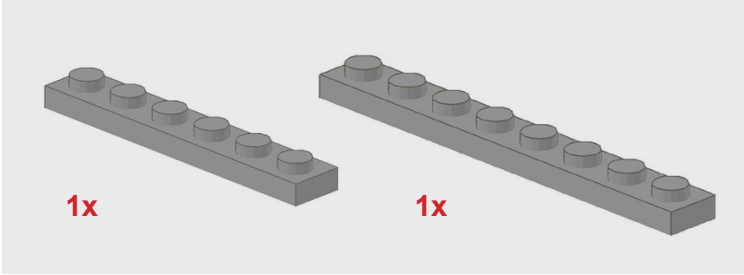


---

### Four

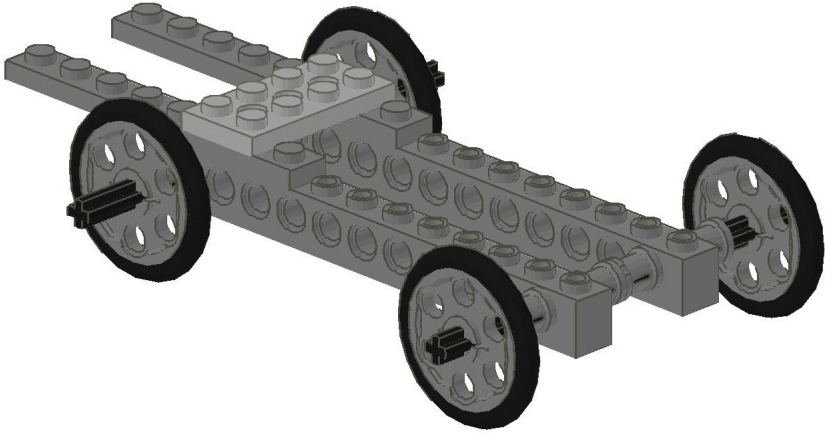
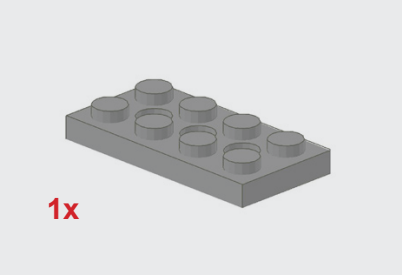


# Five

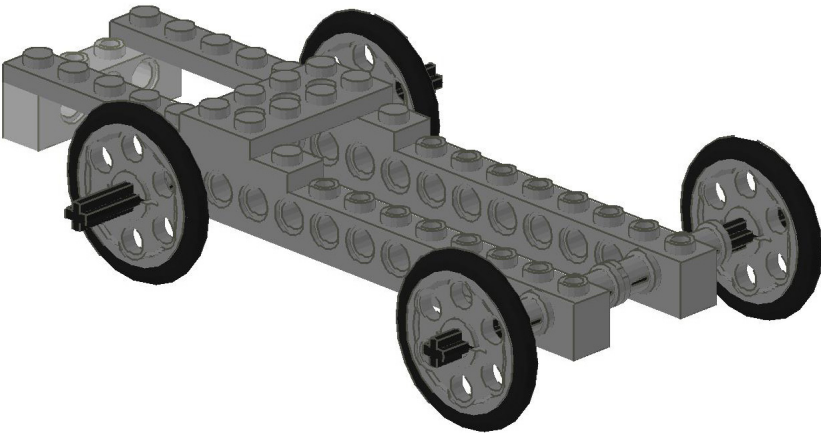
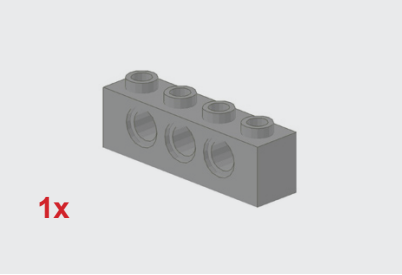


---

# Six

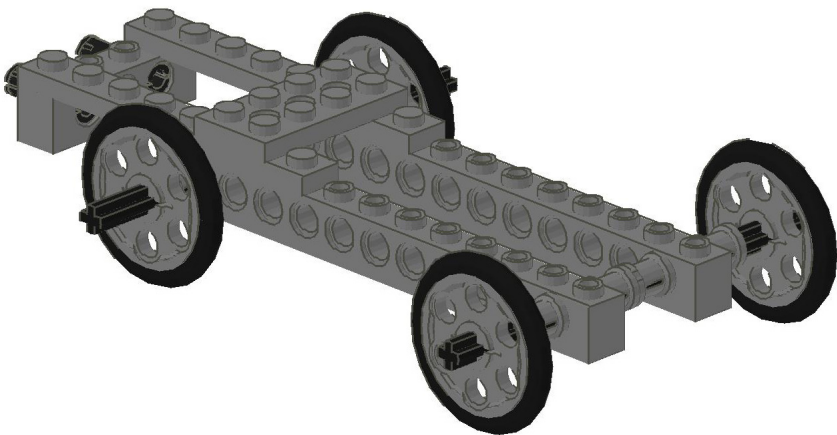


# Seven



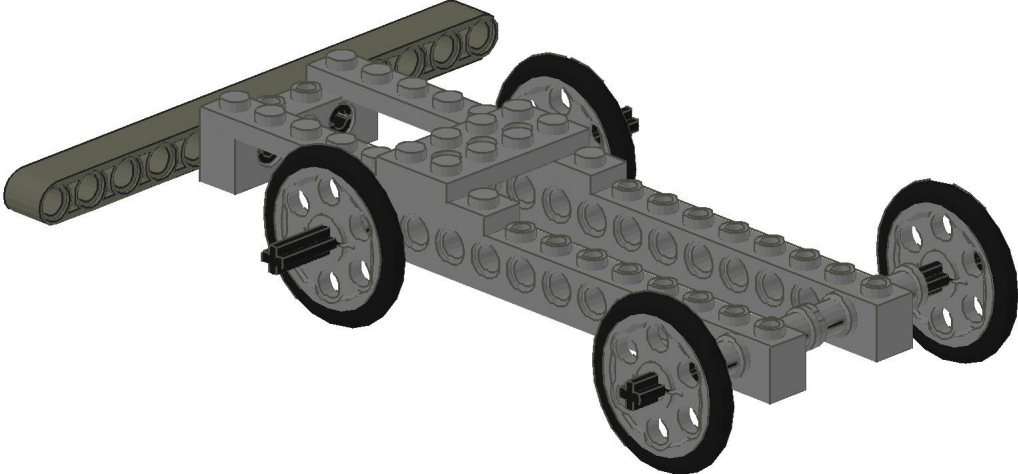
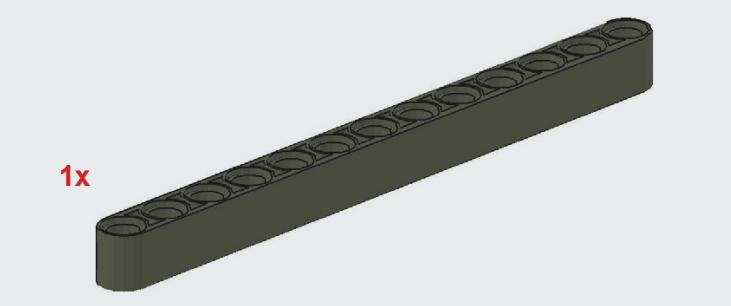
---

# Eight





# Nine



---

# Ten



Attach paper theming to chassis and secure with tape.  
The Moon Buggy is now complete.