

CONDENSING BOILER SCHEDULE

TAG	SERVICE	BASIS OF DESIGN		INPUT CAPACITY BTU/HR		FLOW RATE GPM		AHRF EFF %	ELECTRICAL DATA			FUEL TYPE	OPERATING WT. LBS	NOTES
		MANUFACTURER	MODEL	MIN	MAX	MIN	MAX		VOLTS	PH	AMPS FLA			
BLR-1	HYDRONIC SPACE HEATING	LOCHINVAR	FBN1001	50,000	1,000,000	15	180	96.2	120	1	7.3	NAT GAS	1838	[1],[2],[3]
BLR-2	HYDRONIC SPACE HEATING	LOCHINVAR	FBN1001	50,000	1,000,000	15	180	96.2	120	1	7.3	NAT GAS	1838	[1],[2],[3]

- NOTES:
- BOILERS ARE OWNER-FURNISHED, CONTRACTOR INSTALLED
  - CONFIGURE MASTER CONTROLLER TO SEQUENCE TWO BOILERS SUCH THAT EITHER MAY FUNCTION AS MASTER.
  - INSTALL OWNER-FURNISHED CONDENSATE NEUTRALIZING TANK AND ASSOCIATED COMPONENTS FOR EACH BOILER.

WATER HEATER SCHEDULE

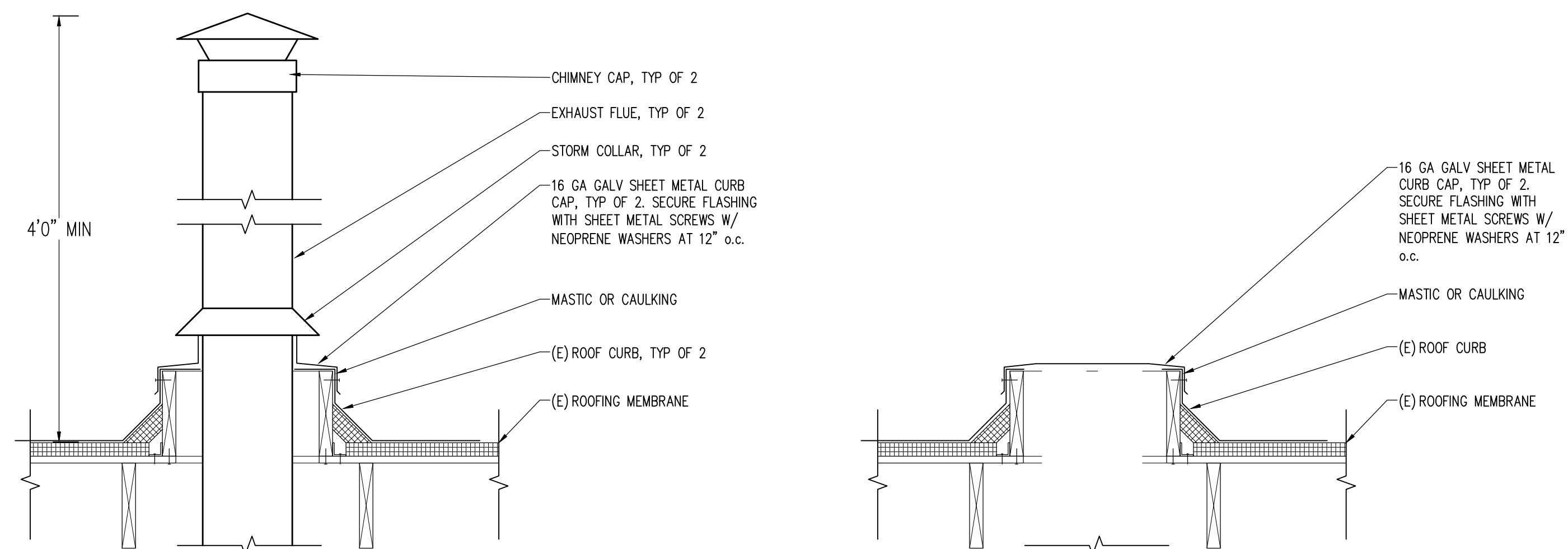
TAG	SERVICE	BASIS OF DESIGN		TYPE	RECOVERY (100F RISE) GPH	FUEL TYPE	CAPACITY, MBH		STORAGE CAPACITY GAL	ELECTRICAL DATA			WET WT. LBS	NOTES
		MANUFACTURER	MODEL				INPUT	EFF. FACT.		VOLTS	PH	FLA		
WH-1	DOMESTIC HOT WATER	LOCHINVAR	SWR200N	TANK	328	NAT GAS	199	0.96	90	120	1	5.0	725	[1],[2]
WH-1	DOMESTIC HOT WATER	LOCHINVAR	SWR200N	TANK	328	NAT GAS	199	0.96	90	120	1	5.0	725	[1],[2]

- NOTES:
- (NOT USED)
  - PIPE CONDENSATE FROM EACH HEATER TO NEAREST BOILER CONDENSATE NEUTRALIZING UNIT.

EXPANSION TANK SCHEDULE

TAG	SERVICE	BASIS OF DESIGN		TYPE	MOUNTING	TANK VOLUME GAL	TANK ACCEPTANCE GAL	MAX TEMP F DEG	MAX PRESSURE PSIG	SYSTEM CONN IN.	WET WT. LBS	NOTES
		MANUFACTURER	MODEL									
ET-1	HEATING WATER SYSTEM	WESSELS	NLAP-600	BLADDER	FLOOR, VERTICAL	158	158	180	125	1-1/2	350	
ET-2	DOMESTIC HOT WATER SYSTEM	AMTROL	ST-30VC-DD	BLADDER	FLOOR, VERTICAL	17	6	200	125	3/4	40	

1 EQUIPMENT SCHEDULES  
NOT TO SCALE

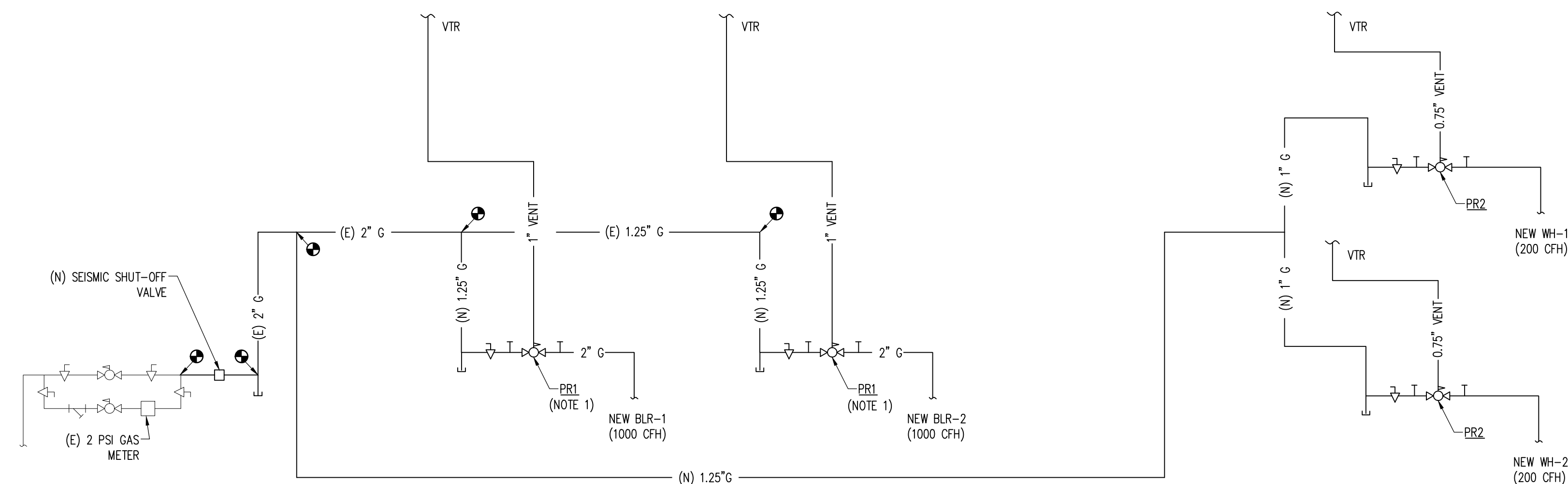


6 NEW ROOF EXHAUST FLUE, BLR-1 & BLR-2  
SCALE: NONE

NOTE: MODIFICATIONS TO MEMBRANE ROOFING, IF REQUIRED, SHALL BE PERFORMED ONLY BY THE ORIGINAL ROOFING INSTALLER WHERE ROOF IS UNDER WARRANTY.

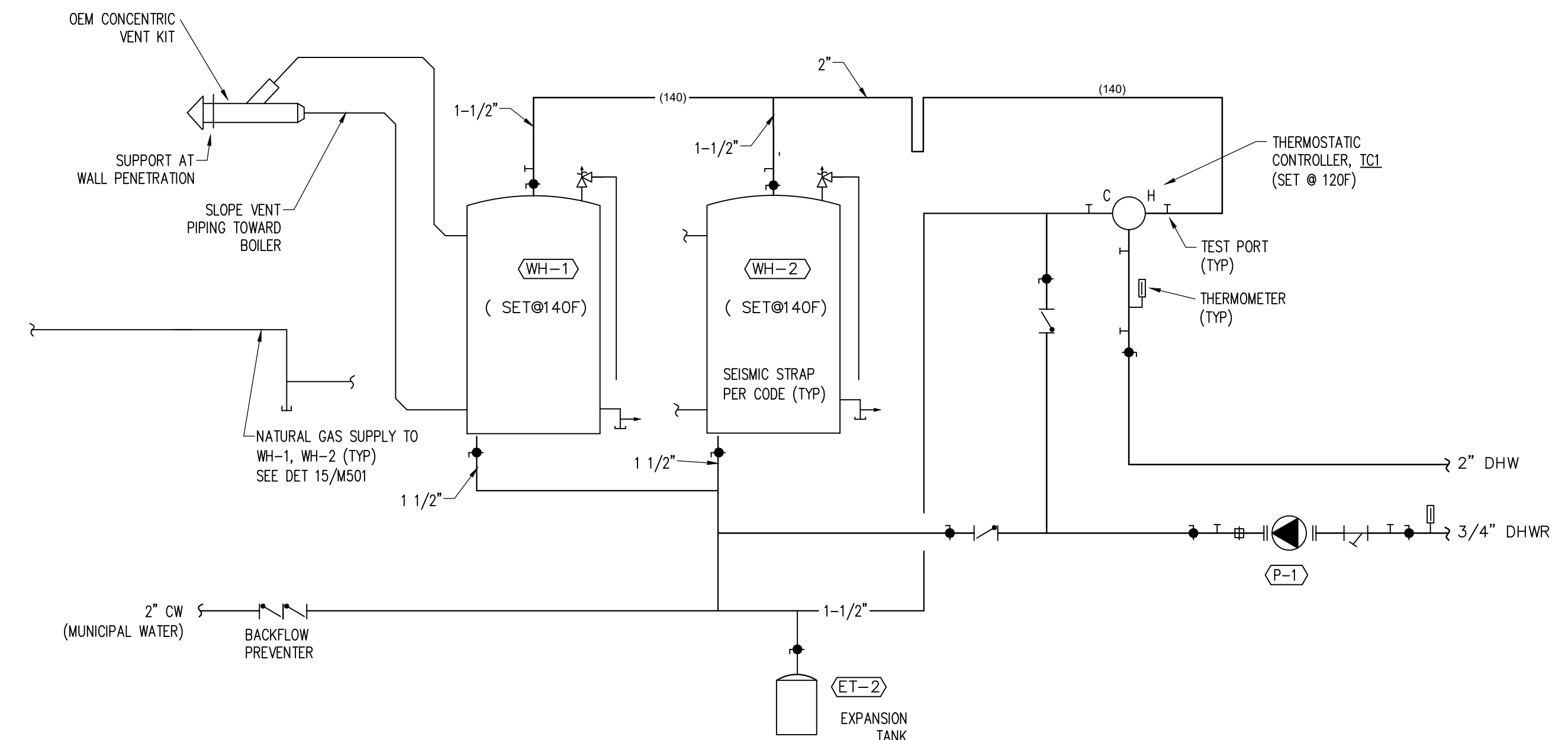
7 NEW ROOF EXHAUST FLUE, WH-1 & WH-2  
SCALE: NONE

NOTE: MODIFICATIONS TO MEMBRANE ROOFING, IF REQUIRED, SHALL BE PERFORMED ONLY BY THE ORIGINAL ROOFING INSTALLER WHERE ROOF IS UNDER WARRANTY.

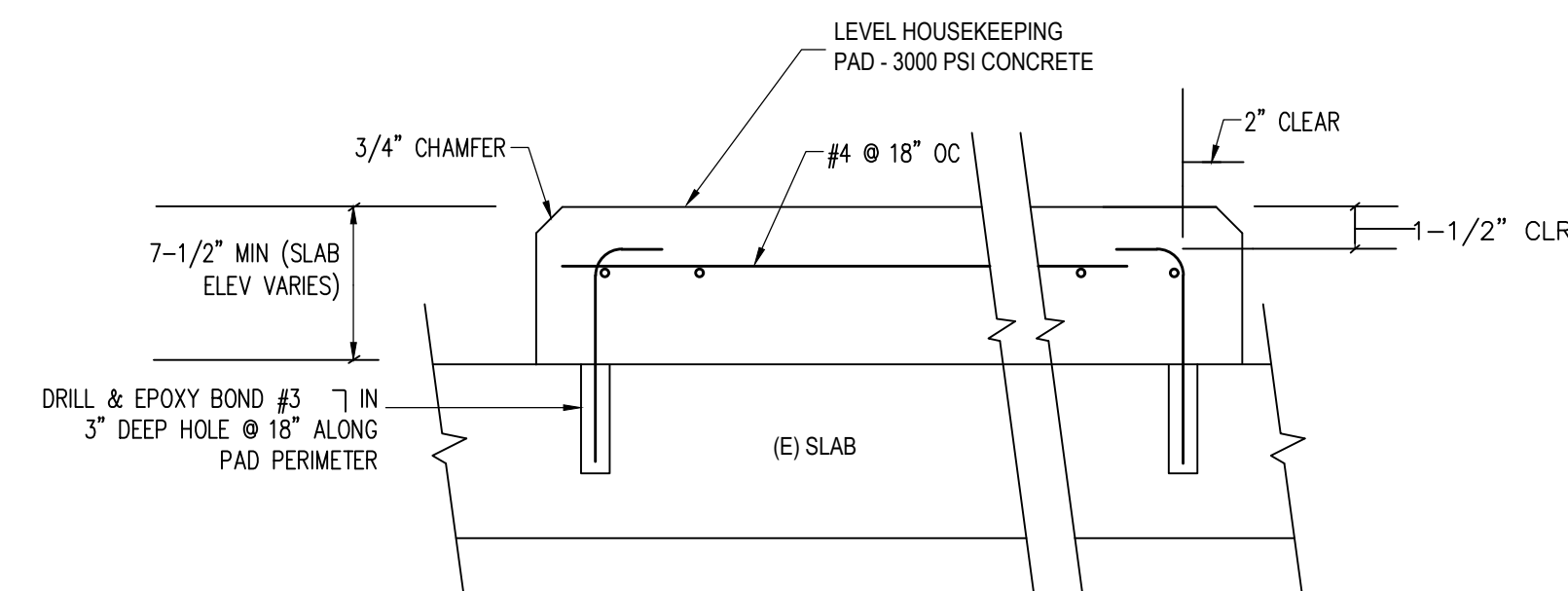


- NOTES:
- PR1 REGULATORS FOR BLR-1 AND BLR-2 FURNISHED BY OWNER, INSTALLED BY CONTRACTOR.

15 GAS PIPING DIAGRAM  
NTS



8 DHW SCHEMATIC DIAGRAM  
NOT TO SCALE



- NOTES:
- MOUNT BOILER TO HOUSEKEEPING PAD WITH ANCHOR BOLTS SIZED PER BOILER MANUFACTURER.
  - PROVIDE SEISMIC STRAPPING MEETING CURRENT CODES FOR WATER HEATERS. MAKE STRUCTURAL ATTACHMENT TO WALL.

16 HOUSEKEEPING PAD AT BOILERS & WATER HEATERS  
SCALE: NONE



Copyright 2022  
The drawings, specifications and other documents related to this project are protected under law and contract. Reproduction of these documents is authorized for the sole purpose of constructing, maintaining and using this project only. Use of these documents for any other purpose is not permitted without the original designer's written authorization.

4J MONROE MIDDLE SCHOOL  
BOILER REPLACEMENT - 2023  
EUGENE SCHOOL DISTRICT 4J  
2800 BAILEY LANE  
EUGENE, OREGON 97401

PROJECT NO: 22-004  
ISSUE DATE: 11/25/22  
DRAFT DATE: 11/22/22  
DRAWN BY: EDJ  
CHECKED BY: GJ

REVISED:

MECHANICAL  
SCHEDULES,  
DETAILS,  
& DIAGRAMS