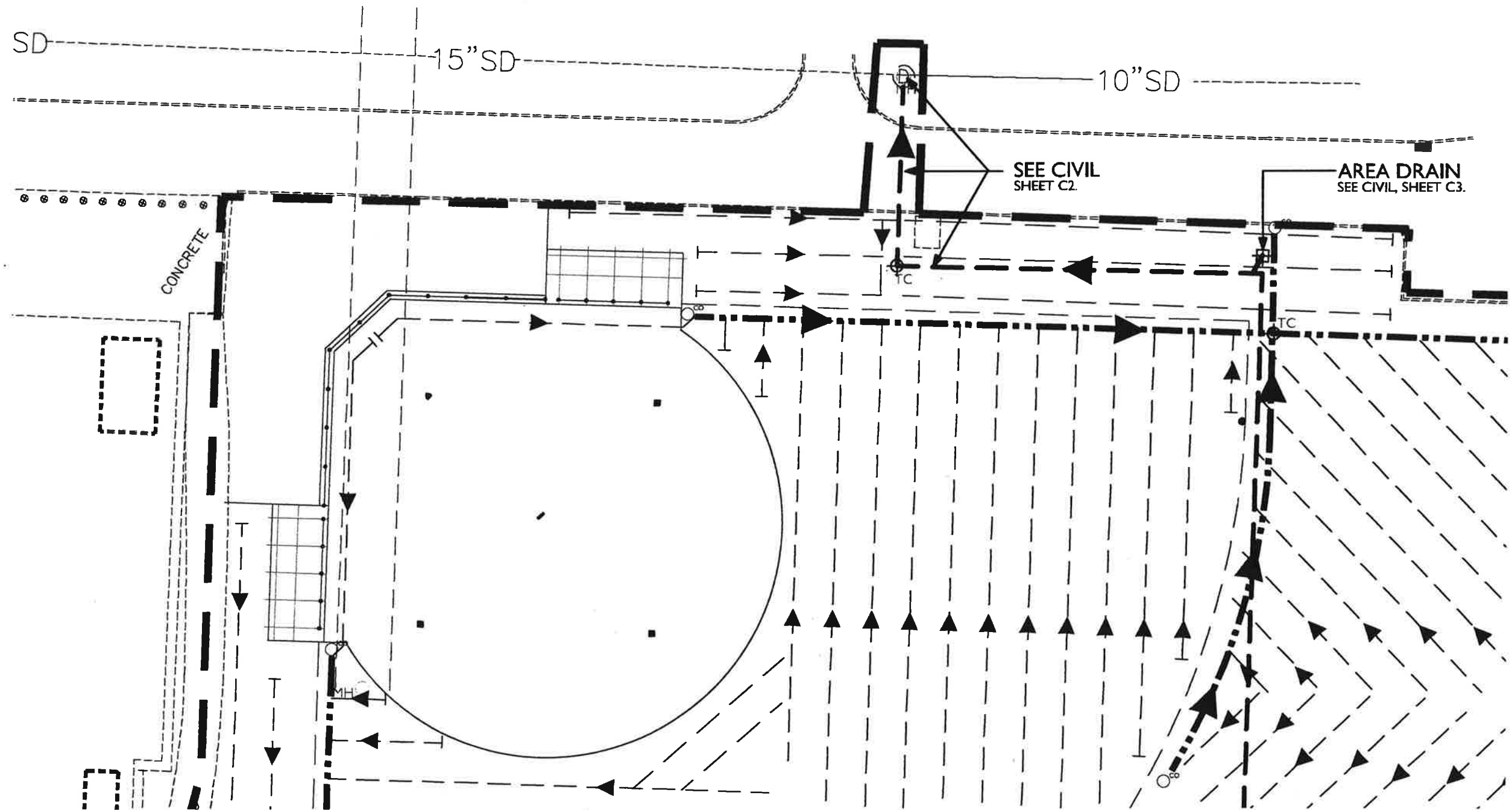


**PARTIAL PLAN SHOWING SITE FEATURES**  
 FROM RECORD DRINGS - SHT LI

SHEET  
**RD1**  
 3/16/15

THESE DRAWINGS INCLUDED AS REFERENCE FOR EXISTING CONDITIONS - CONTRACTOR TO VERIFY  
**RECORD DRAWINGS ONLY - NOT FOR CONSTRUCTION**



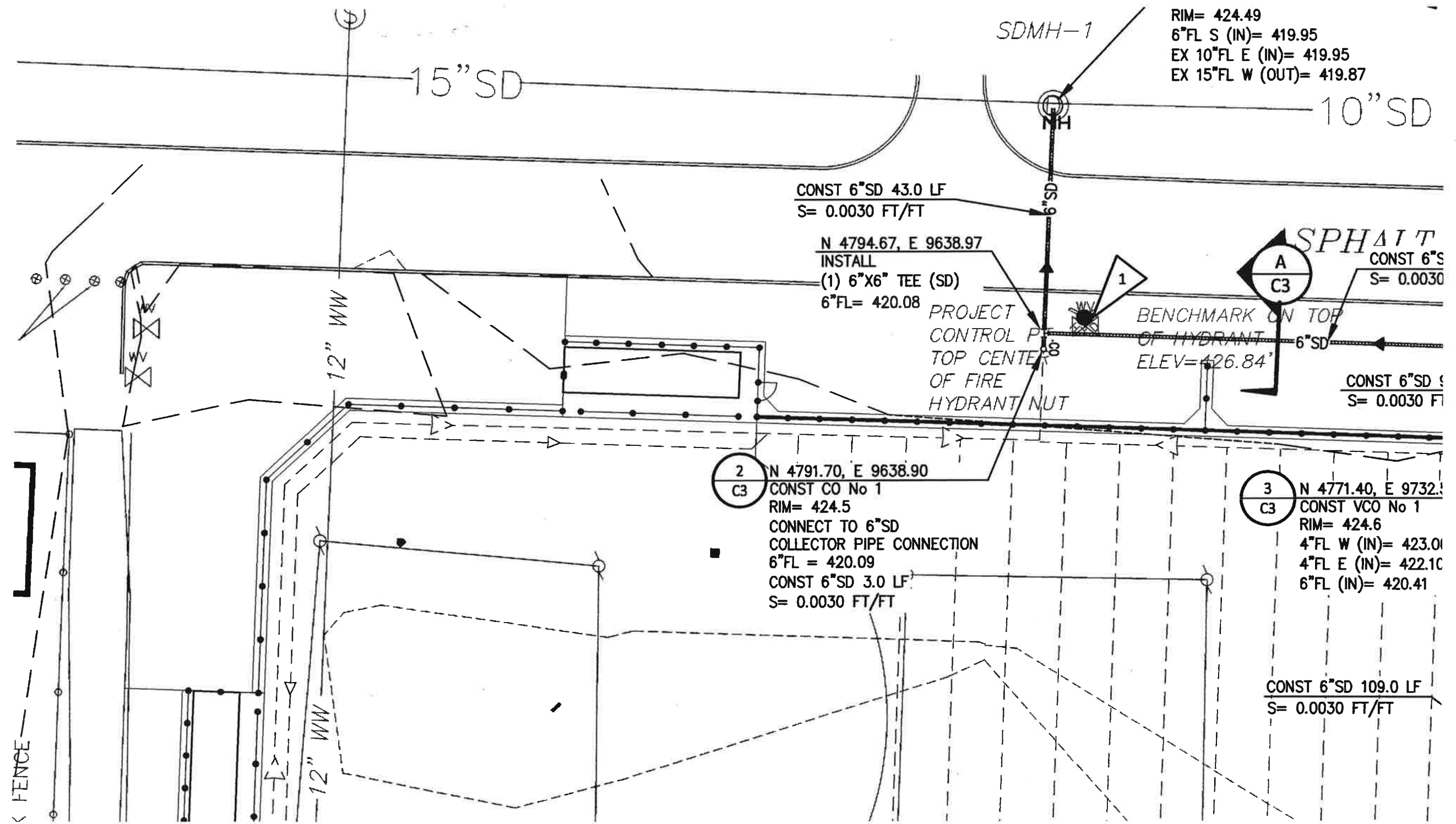


PARTIAL PLAN SHOWING TURF DRAINAGE SYSTEM  
 FROM RECORD DRNGS - SHT L4

SHEET **RD3**  
 3/16/15

THESE DRAWINGS INCLUDED AS REFERENCE FOR EXISTING CONDITIONS - CONTRACTOR TO VERIFY

**RECORD DRAWINGS ONLY - NOT FOR CONSTRUCTION**



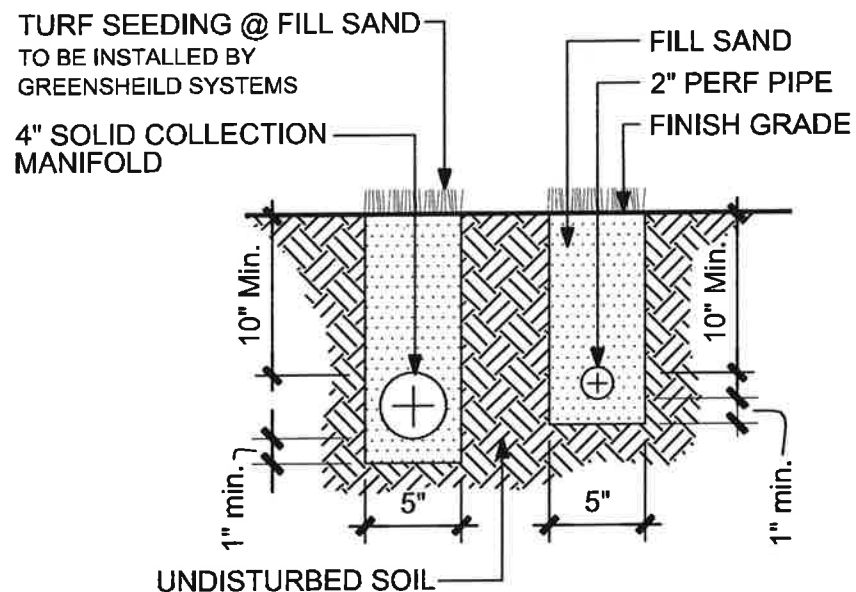
**PARTIAL PLAN SHOWING TURF DRAINAGE MAIN LINES**

FROM RECORD DRNGS - SHT C-2

SHEET:  
RD4  
3/16/15

THESE DRAWINGS INCLUDED AS REFERENCE FOR EXISTING CONDITIONS - CONTRACTOR TO VERIFY

RECORD DRAWINGS ONLY - NOT FOR CONSTRUCTION



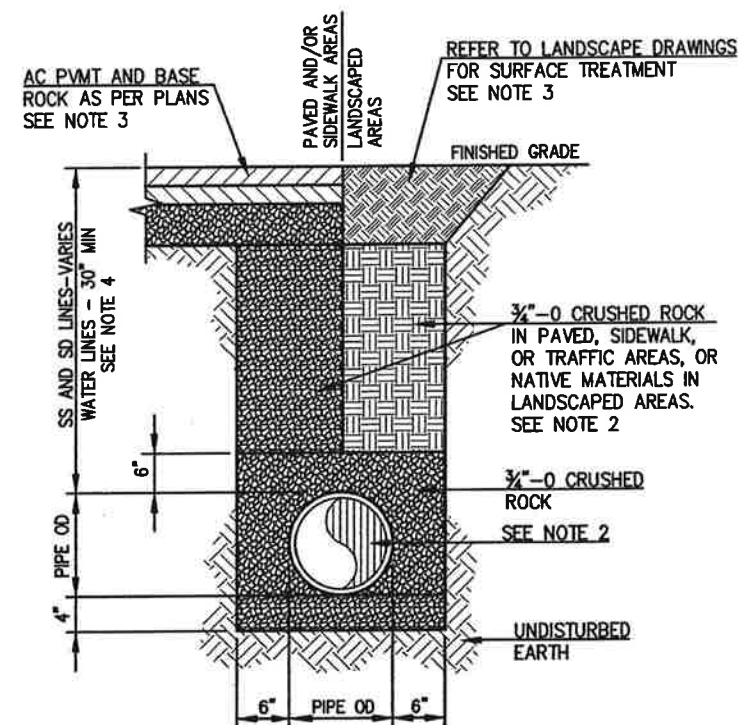
**NOTE:**

1. Slope pipe to drain in direction arrow indicates on Landscape Subgrade Drainage Plan.
2. Coordinate connection and elevations between the 4" collector pipes installed by this subcontractor with the 6" collector pipes installed by the subcontractor selected for the work shown by Civil.

**TURF DRAINAGE LINES DETAIL**

**TRENCH DRAIN / PIPE**

WITHIN FIELD RECORD DRWG SHT. L4



**NOTES:**

1. WATER LINES THAT PARALLEL SANITARY SEWER LINES SHALL BE LOCATED A MINIMUM OF 12" ABOVE SEWER LINES, WHERE SERVICES ARE NOT HORIZONTALLY SEPARATED BY 10'.
2. WITHIN 5' OF A BUILDING STRUCTURE, BUILDING CODE APPROVED PIPE MATERIAL AND 3/4"-0 CRUSHED ROCK BACKFILL SHALL BE USED.
3. SAWCUT, REMOVE AND REPAIR EXISTING SURFACES TO MATCH EXISTING ASPHALT, CONCRETE, OR LANDSCAPING IN AREAS WHICH DO NOT RECEIVE NEW IMPROVEMENTS. PROVIDE 4" MIN DEPTH ASPHALT PAVEMENT, 4" MIN DEPTH CONCRETE PAVEMENT, OR MATCH EXISTING PAVEMENT DEPTH, WHICHEVER IS GREATER.
4. 36" MINIMUM FOR FIRE SERVICE PIPES UNDER AREAS TRAFFICKED BY VEHICLES. (NFPA 24, 10-4)
5. INSTALL TRACER WIRE ON ANY PIPELINE(S) CONSTRUCTED OF NON-METALLIC PIPE MATERIAL

**TYPICAL TRENCHING & BACKFILL SECTION**

RECORD DRWG SHT C3

NO SCALE

SHEET:  
RD5  
3/16/15

THESE DRAWINGS INCLUDED AS REFERENCE FOR EXISTING CONDITIONS - CONTRACTOR TO VERIFY  
**RECORD DRAWINGS ONLY - NOT FOR CONSTRUCTION**



Facilities Management  
 School District 4J  
 Eugene Public Schools  
 715 West Fourth Avenue  
 Eugene, Oregon 97402  
 541/687-3259



SEHS SOFTBALL SLAB DRAINAGE 2015  
 EUGENE PUBLIC SCHOOL DISTRICT 4J • EUGENE, OREGON  
 GENERAL NOTES • SCOPE OF WORK •  
 OUTLINE SPECIFICATIONS

CIP # 420,600,019  
 DATE 3-10-15  
 SHEET  
 1 OF 2

**SCOPE OF WORK:**

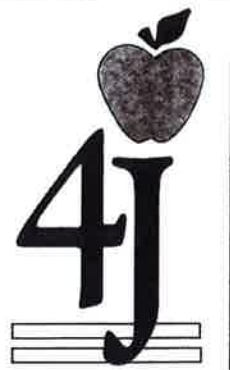
1. Work is to sawcut and remove existing pervious concrete, install drain line, install bollard sleeves, install new pervious concrete.
2. Remove existing concrete, aggregate, and subgrade to required depths.
3. Construct perf drainage system under permeable concrete, with hard pipe from perf drain to (E) storm drain line. Connect to existing storm drain line with Fernco Fitting.
4. Install knock-out sleeves for future bollards.
5. Construct pervious concrete pavement work: 5" permeable concrete over ¾ minus crushed rock over drainage system.
6. Backfill hard pipe drain line with soil from native material salvaged from trenching. Top dress top 1-1/2" of trenching with sand to match depth of adjacent sand composition. Compact to 90%.
7. Reseed and fertilize lawn areas disturbed by work.

**GENERAL NOTES:**

1. Protect building and yards from damage and debris. Repair any damage to areas during work.
2. Existing dimensions and locations of underground utilities are approximate. Contractor to provide private underground locates. Owner will not provide private locates before commencing work. Refer to Record Drawings labeled RD 1 thru RD 5 for general locations of existing underground utilities.
3. Confine earthwork and installation activities as close to work footprint as possible. Take care to limit heavy machinery on (E) pervious concrete to remain. Minimize machinery activity on landscaped areas. Repair any damage upon completion.
4. Soil is the expansive clay type that shrinks and swells with the seasons. Do not allow trench to lay open for extended periods without covering it with plastic and keeping it hydrated. The substrate is not to dry out before the drain line and bollards and crushed rock base is installed.
5. Remove and dispose excavated materials from site.
6. Reseed and fertilize lawn areas disturbed by work.

**OUTLINE SPECIFICATIONS:**

1. Crushed Base Rock: 12" deep. ¾ minus, free from foreign material, conforming to ODOT Standards.
2. Round River Rock: washed ½" to 1-½" open rock, conforming to ODOT Standards.
3. Geotextile Fabric around Round River Rock: per ODOT Standards.
4. Permeable Concrete Manufacturer: Ultimate Series Fine Grain Pervious Concrete by Evolution Paving Resources; 503-393-5050; P.O. Box 20610; Salem, Oregon 97307; in conjunction with Nations Mini Mix Inc.; Josh Schaaf, 541-686-3031.
5. Permeable Conc. Installation: Ease edges of exist conc with burnishing tool or grinder. Install expansion joints between new to exist work and 20' o.c.
6. Expansion Joint: Full depth, asphalt impregnated fiber, 3/8" thick. Position ½" below top of slab.
7. Polyethylene Perf Pipe: Rigid pipe, smooth interior, corrugated exterior AASHTO M252 Type S with manufacturer's fittings. Polyester sock around pipe.
8. PVC Solid Wall Pipe: T-1 wall thickness, rubber gasket joints, ASTM D3034, SDR 35. Provide with manufacturers fittings.
9. Cleanouts: Solid wall PVC with sanitary wye to drain pipe. Frame and cover cast iron with "STORM" marking. Star Pipe Products 950 Valve Box, Item VB-0036.
10. Couplers: Fernco 1000.
11. Tracer Wire: 18 gauge, green, at non-metallic pipe.
12. Topsoil: Imported natural, fertile, friable, sandy loam with at least 10% organics, free of rocks, vegetation, weed, seeds and other deleterious materials. NOT ballfield loam.
13. Compaction: Rock Base 90%. Earth Backfill 90%
14. Owner to provide any independent testing.



Facilities Management  
 School District 4J  
 Eugene Public Schools  
 715 West Fourth Avenue  
 Eugene, Oregon 97402  
 541/687-3259



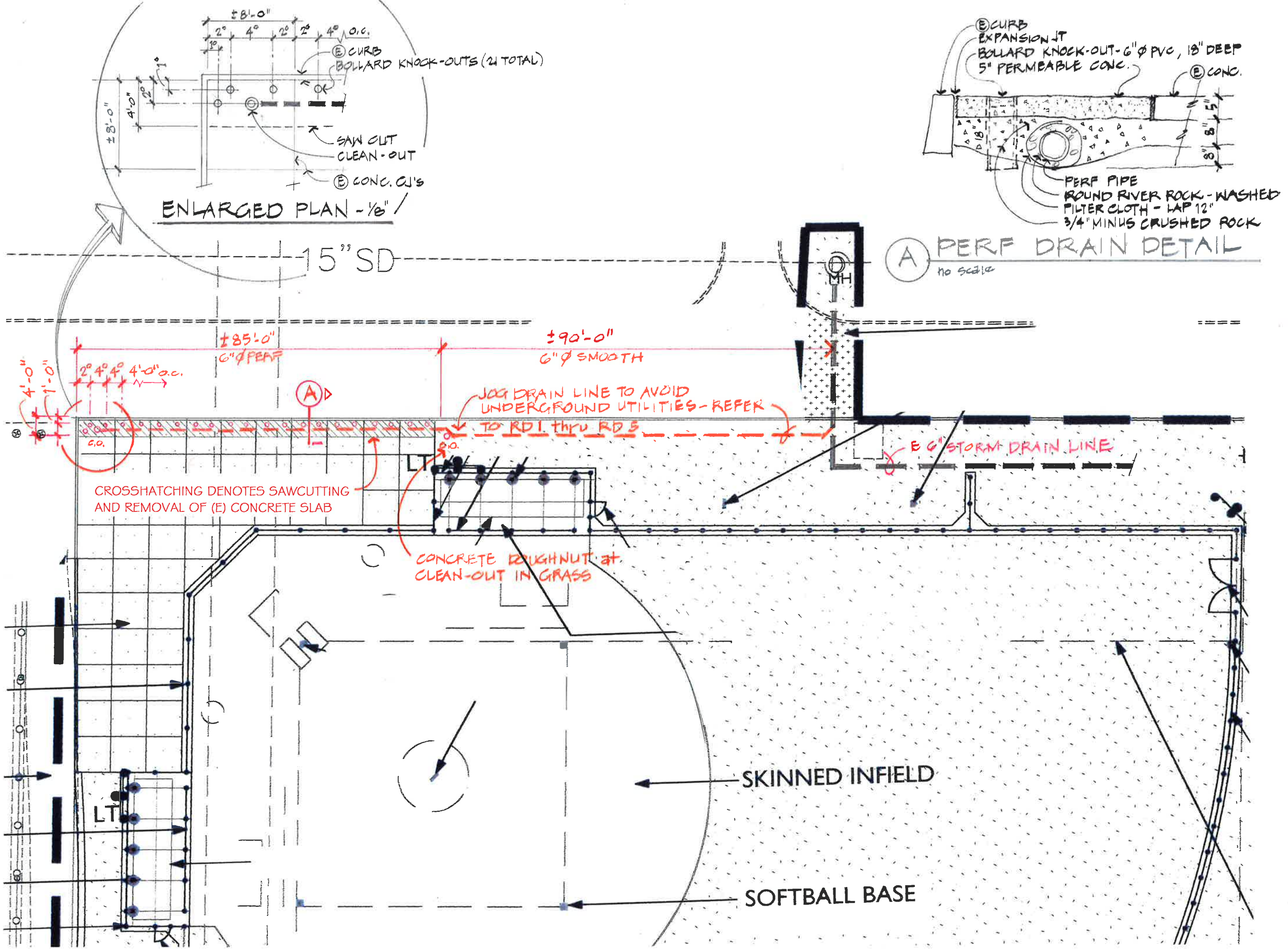
SEHS SOFTBALL SLAB DRAINAGE 2015  
 EUGENE PUBLIC SCHOOL DISTRICT 4J • EUGENE, OREGON

PLANS and DETAILS

CIP # 420,660,019  
 DATE 3-16-15  
 SHEET  
 2 OF 2

ENLARGED PLAN - 1/8" /

A PERF DRAIN DETAIL  
 no scale



CROSSHATCHING DENOTES SAWCUTTING AND REMOVAL OF (E) CONCRETE SLAB