

RODD HANSEN, ARCHITECT, L.L.C.
ARCHITECTURE AND PLANNING

Date: November 7, 2014
To: All Prime Bidders
RE: Eugene School District 4j
Adams Elementary School – Restroom Addition
C.I.P. No. 420.104.100



ADDENDUM #2:

YOU ARE HEREBY DIRECTED TO PERFORM THE FOLLOWING WORK AND INCLUDE THE FOLLOWING WORK IN YOUR BID.

- Item #1: Clarification to Item #16: the R-value for the rigid insulation is R-10.

- Item #2: Work Hours: Weekend and evening work hours may be made available to the contractors. This will be discussed with the successful bidder during the preconstruction meeting.

- Item #3: See the attached substitution requests. All of the attachments have been approved and are a valid substitution.

END OF ADDENDUM #2

SUBSTITUTION REQUEST FORM

TO: Rodd Hansen, Architect, LLC
1551 Oak Street, Suite A
Eugene, Oregon 97401

DEADLINE: November 4, 2014

PROJECT: Adams Elementary School – Restroom Addition
Eugene School District 4J

CIP # 420.104.100

ITEM: 224200 1 2.1-A-3 Urinals - Wall Hung
Section No. Page No. Paragraph Description

The Undersigned requests consideration of the following substitution:

SLOAN SU-1009-A High-Efficiency Urinal

The Undersigned states that the following paragraphs are true, except where noted otherwise:

1. The function, appearance and quality of the proposed substitution are equivalent or superior to the specified item;
2. The proposed substitution does not affect dimensions shown on the Drawings;
3. The Undersigned will pay for changes to the building design, including engineering and design services, detailing and construction costs caused by the requested substitution;
4. The proposed substitution will have no adverse affect on other trades, the construction schedule, or specified warranty requirements;
5. Maintenance and service parts will be locally available for the proposed substitution;
6. The Undersigned has attached data concerning the proposed substitution, including: Manufacturers product description, specifications, drawings, photographs, performance and test data, adequate for evaluation of the request, with applicable portions of the data clearly indicated. Attachments also includes description of changes to Contract Documents which the proposed substitution will require for its proper installation.

Submitted by: PAT Kelley

Signature: Patricia Kelley

Firm: Bruley Gray & Assoc.

Address: 2818 E 2ND ST.

Telephone: 360-693-9900

Fax: 693-7997

Date: 11/4/14

END OF SECTION 01 60 00

SLOAN®

Efficiency Series

UR Wall Hung

Model

SU-1009-A Universal High-Efficiency Urinal

Top Spud Vitreous China Wash Down Urinal

DESCRIPTION

Complete vitreous china top spud urinal.

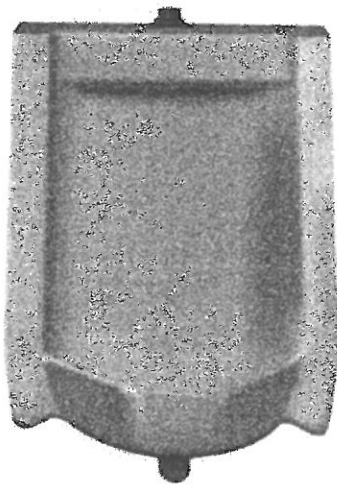
Flush Cycle

Model SU-1009-A*

(0.125 to 0.5 gpf/0.5 to 1.9 Lpf)

Code: 1101009

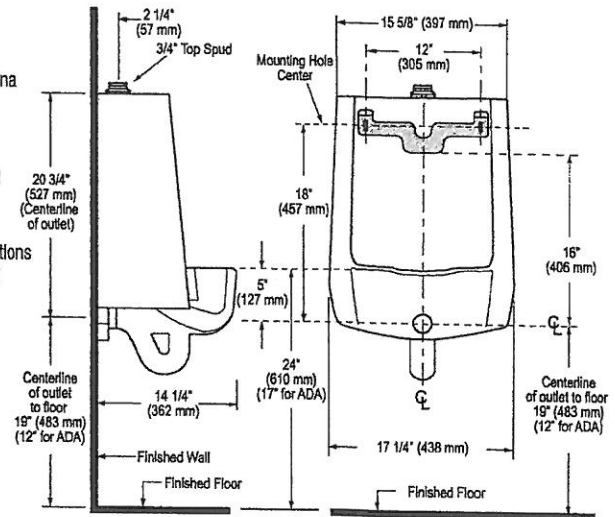
Flush volume is determined by the flushometer used with urinal.



SPECIFICATIONS

Urinal

- Wall hung top spud vitreous china
- Washdown flushing action
- ¾" IPS top spud inlet
- 2" NPT outlet flange
- All mounting hardware included
- Integral flushing rim
- 100% factory flush tested
- Compliant to the applicable sections of ASME A112.19.2/CSA B45.1
- Carrier not included



NOTE: All vitreous china dimensions shown in these drawings are nominal. Dimensions can vary within the tolerances established in the governing ASME A112.19.2/CSA B45.1 standard. Please take this into consideration when planning rough-in and plumbing layouts.

Product Specification

Washdown urinal shall be made of vitreous china with a ¾" top spud. Urinal shall have a 2" NPT outlet flange. Urinal shall include a removable strainer, inlet spud and hanger. Urinal shall be Sloan Model SU-1009-A.

*Please note that this model is fully interchangeable with Models SU-1000-A, SU-1002-A & SU-1005-A and matches all dimensional and performance parameters.



Meets the American Disabilities Guidelines and ANSI A117.1 requirements when installed at the proper height requirements for accessibility.

NOTE: Plumbing System Requirements

✓ Minimum **Flowing** Pressure: 25 PSI

✓ Maximum Static Pressure: 80 PSI

This space for Architect/Engineer approval	
Job Name	Date
Model Specified	Quantity
Variations Specified	
Customer/Wholesaler	
Contractor	
Architect	

The information contained in this document is subject to change without notice.



SLOAN®

Sloan Headquarters
10500 Seymour Avenue
Franklin Park, IL 60131
Phone: 1-800-982-5839
Fax: 1-800-447-8329
www.sloanvalve.com

© 2013 Sloan Valve Company
SU-1009 09-13

EUGENE SCHOOL DISTRICT 4J
Adams Elementary School – Restroom Addition
C.I.P. 420.104.100

SECTION 01 60 00
PRODUCT REQUIREMENTS

SUBSTITUTION REQUEST FORM

TO: Rodd Hansen, Architect, LLC
1551 Oak Street, Suite A
Eugene, Oregon 97401

DEADLINE: November 4, 2014

PROJECT: Adams Elementary School – Restroom Addition
Eugene School District 4J

CIP # 420.104.100

ITEM: 224200 1 21-A Low-Wall Hung
Section No. Page No. Paragraph Description

The Undersigned requests consideration of the following substitution:

5109N 55-3003

The Undersigned states that the following paragraphs are true, except where noted otherwise:

1. The function, appearance and quality of the proposed substitution are equivalent or superior to the specified item;
2. The proposed substitution does not affect dimensions shown on the Drawings;
3. The Undersigned will pay for changes to the building design, including engineering and design services, detailing and construction costs caused by the requested substitution;
4. The proposed substitution will have no adverse affect on other trades, the construction schedule, or specified warranty requirements;
5. Maintenance and service parts will be locally available for the proposed substitution;
6. The Undersigned has attached data concerning the proposed substitution, including: Manufacturers product description, specifications, drawings, photographs, performance and test data, adequate for evaluation of the request, with applicable portions of the data clearly indicated. Attachments also includes description of changes to Contract Documents which the proposed substitution will require for its proper installation.

Submitted by: PAT Kelley

Signature: Patricia Kelley

Firm: Bradley Gray & Assoc.

Address: 2818 E 2ND ST.

Telephone: 360-693-9900

Fax: 693-7997

Date: 11/4/14

END OF SECTION 01 60 00

SLOAN®

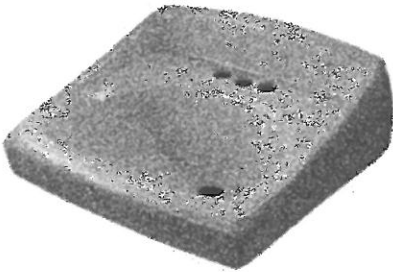
Model
SS-3003
 Standard Wall Hung Lavatory with Backsplash

Lav - Wall Hung



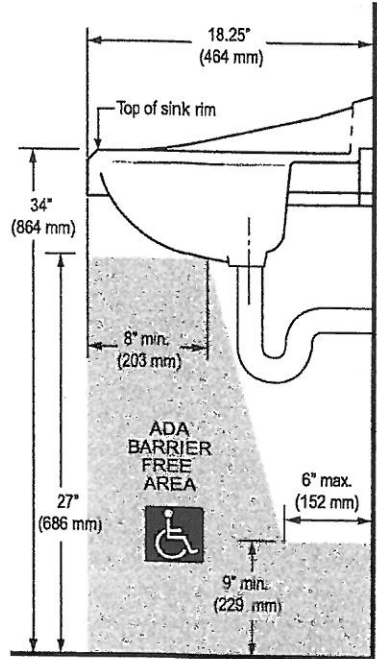
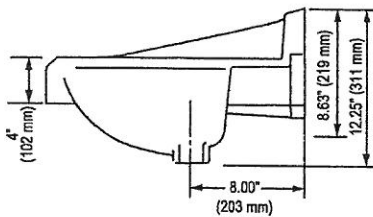
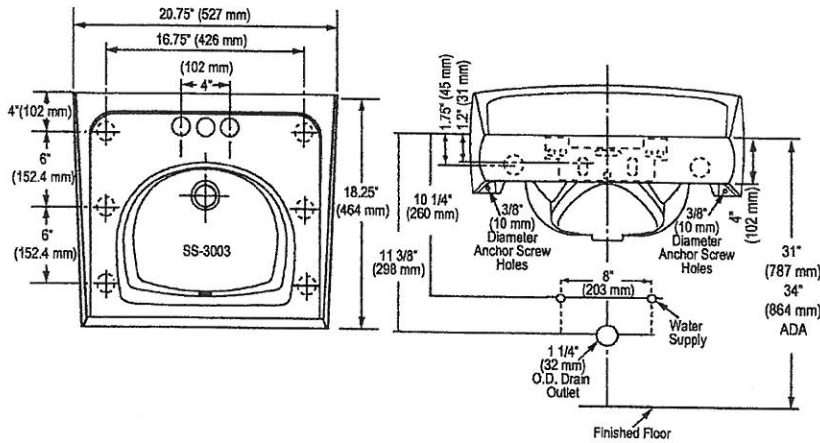
DESCRIPTION

Complete vitreous china lavatory with backsplash
 Model SS-3003



SPECIFICATIONS

- Lavatory**
- White vitreous china
 - Wall mount
 - Hanging hardware
 - Backsplash
 - 4" (102 mm) centers
 - Overflow
 - ADA compliant when mounted with deck at 34" from finished floor. See illustration for recommended ADA installation
 - 20.75" (527 mm) x 18.25" (464 mm)
 - Compliant to the applicable sections of ASME A112.19.2/CSA B45.1
 - Carrier not included
 - Compatible with:
 Jay R. Smith- 0700 series lavatory carrier or equal
 Josam- 17100-202 series lavatory carrier or equal
 Watts TCA-411 concealed arm "track" carrier or equal
 Watts-WCA-411 carrier with concealed arms or equal



Product Specification
 Sink shall be made of vitreous china. Sink shall be wall mounted. Sink shall have an overflow. Sink shall be a 4" centerset. Sink shall be Sloan Model SS-3003.

Important: Fixture dimensions are nominal and may vary slightly from drawings.

This space for Architect/Engineer approval	
Job Name	Date
Model Specified	Quantity
Variations Specified	
Customer/Wholesaler	
Contractor	
Architect	

The information contained in this document is subject to change without notice.



SLOAN.

Sloan Valve Company
 10500 Seymour Avenue
 Franklin Park, IL 60131
 Phone: 1-800-9-VALVE-9 (982-5839)
 or 1-847-671-4300
 Fax: 1-800-447-8329 or 1-847-671-4380
 www.sloanvalve.com

Copyright © 2010 Sloan Valve Company
 07/10 Rev. 1a

EUGENE SCHOOL DISTRICT 4J
Adams Elementary School – Restroom Addition
C.I.P. 420.104.100

SECTION 01 60 00
PRODUCT REQUIREMENTS

SUBSTITUTION REQUEST FORM

TO: Rodd Hansen, Architect, LLC
1551 Oak Street, Suite A
Eugene, Oregon 97401

DEADLINE: November 4, 2014

PROJECT: Adams Elementary School – Restroom Addition
Eugene School District 4J

CIP # 420.104.100

ITEM: 224200 1 2.1-A Water Closet - Wall Hung
Section No. Page No. Paragraph Description

The Undersigned requests consideration of the following substitution:

Sloan. ST-2059-A

The Undersigned states that the following paragraphs are true, except where noted otherwise:

1. The function, appearance and quality of the proposed substitution are equivalent or superior to the specified item;
2. The proposed substitution does not affect dimensions shown on the Drawings;
3. The Undersigned will pay for changes to the building design, including engineering and design services, detailing and construction costs caused by the requested substitution;
4. The proposed substitution will have no adverse affect on other trades, the construction schedule, or specified warranty requirements;
5. Maintenance and service parts will be locally available for the proposed substitution;
6. The Undersigned has attached data concerning the proposed substitution, including: Manufacturers product description, specifications, drawings, photographs, performance and test data, adequate for evaluation of the request, with applicable portions of the data clearly indicated. Attachments also includes description of changes to Contract Documents which the proposed substitution will require for its proper installation.

Submitted by: PAT Kelley

Signature: Patricia Kelley

Firm: Braleley Gray & Assoc.

Address: 2818 E 2ND ST.

Telephone: 360-693-9900

Fax: 693-7997

Date: 11/4/14

END OF SECTION 01 60 00

WC - Wall Hung



Efficiency Series

Model
ST-2059-A Universal Closet
 Top Spud Vitreous China Elongated Water Closet

DESCRIPTION

Complete vitreous china water closet.

Flush Cycle

Model ST-2059-A Universal Closet
 (1.1 to 1.6 gpf/4.2 to 6.0 Lpf)
 Code: 2102059

Flush volume is determined by the flushometer used with closet.



SPECIFICATIONS

Water Closet

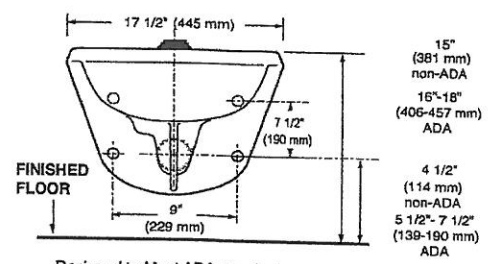
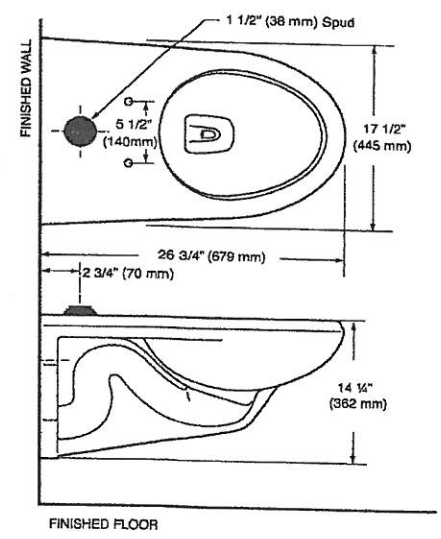
- Wall hung vitreous china elongated bowl
- Siphon jet flushing action
- 1-1/2" I.P.S. top spud inlet
- 2-1/8" fully glazed trapway diameter
- Mounting hardware, carrier and toilet seat not included
- Integral flushing rim
- Water spot area 9 1/2" x 8 1/4"
- ASME A112.19.2/CSA B45.1

Colors/Finishes

- White

Recommended Seats

- Bemis - 1955CT/1955SSCT & 2155CT/2155SSCT
- Church - 295CT/295SSCT & 2155CT/2155SSCT



Designed to Meet ADA standards when bowl is 17" - 19" high including seat

* Please note that this model is fully interchangeable with Models: ST-2050-A, ST-2052-A, ST-2053-A and matches all dimensional and performance parameters.

** This model meets the requirements for a High Efficiency Toilet when used with a high efficiency flushometer (1.28 gpf/4.8 Lpf or 1.1/1.6 gpf-4.2/6.0 Lpf dual-flush).



Meets the American Disabilities Guidelines and ANSI A117.1 requirements when installed according to these requirements.

NOTE:

- Plumbing System Requirements
- ✓ Minimum **Flowing** Pressure: 25 PSI
 - ✓ Maximum Static Pressure: 80 PSI
 - ✓ Minimum Flow Rate: 18 gpm

NOTE: All vitreous china dimensions shown in these drawings are nominal. Dimensions can vary within the tolerances established in the governing ASME A112.19.2/CSA B45.1 standard. Please take this into consideration when planning rough-in and plumbing layouts.

Product Specification
 Elongated water closet shall be made of vitreous china with a 1-1/2" top spud inlet. Bowl shall be ADA compliant when installed at required height of 17"-19" from floor to top of fixture (including seat). Water Closet shall be Sloan Model ST-2059-A.



This space for Architect/Engineer approval	
Job Name	Date
Model Specified	Quantity
Variations Specified	
Customer/Wholesaler	
Contractor	
Architect	

The information contained in this document is subject to change without notice.



Sloan
 10500 Seymour Avenue
 Franklin Park, IL 60131
 Phone: 1-800-982-5839
 Fax: 1-800-447-8329
 www.sloanvalve.com

© 2013 Sloan Valve Company
 ST-2059 10-13

EUGENE SCHOOL DISTRICT 4J
Adams Elementary School – Restroom Addition
C.I.P. 420.104.100

SECTION 01 60 00
PRODUCT REQUIREMENTS

SUBSTITUTION REQUEST FORM

TO: Rodd Hansen, Architect, LLC
1551 Oak Street, Suite A
Eugene, Oregon 97401

DEADLINE: November 4, 2014

PROJECT: Adams Elementary School – Restroom Addition
Eugene School District 4J

CIP # 420.104.100

ITEM: 224200 1 2.1-A Water Closet - Floor Mount
Section No. Page No. Paragraph Description

The Undersigned requests consideration of the following substitution:

SLOAN ST-2009-A

The Undersigned states that the following paragraphs are true, except where noted otherwise:

1. The function, appearance and quality of the proposed substitution are equivalent or superior to the specified item;
2. The proposed substitution does not affect dimensions shown on the Drawings;
3. The Undersigned will pay for changes to the building design, including engineering and design services, detailing and construction costs caused by the requested substitution;
4. The proposed substitution will have no adverse affect on other trades, the construction schedule, or specified warranty requirements;
5. Maintenance and service parts will be locally available for the proposed substitution;
6. The Undersigned has attached data concerning the proposed substitution, including: Manufacturers product description, specifications, drawings, photographs, performance and test data, adequate for evaluation of the request, with applicable portions of the data clearly indicated. Attachments also includes description of changes to Contract Documents which the proposed substitution will require for its proper installation.

Submitted by: PAT Kelley

Signature: Patricia Kelley

Firm: Bradley Gray & Assoc.

Address: 2818 E 2ND ST.

Telephone: 360-693-9900

Fax: 693-7997

Date: 11/4/14

END OF SECTION 01 60 00

SLOAN®

Efficiency Series

Model

ST-2009-A Universal Closet

Top Spud Floor Mount Vitreous China Water Closet

WC - Floor Mount

DESCRIPTION

Complete vitreous china water closet.

Flush Cycle

Model ST-2009-A-BPL* Universal Closet

(1.1 to 1.6 gpf/4.2 to 6.0 Lpf)

Code: 2102009

Flush volume is determined by the flushometer used with closet.



SPECIFICATIONS

Fixture

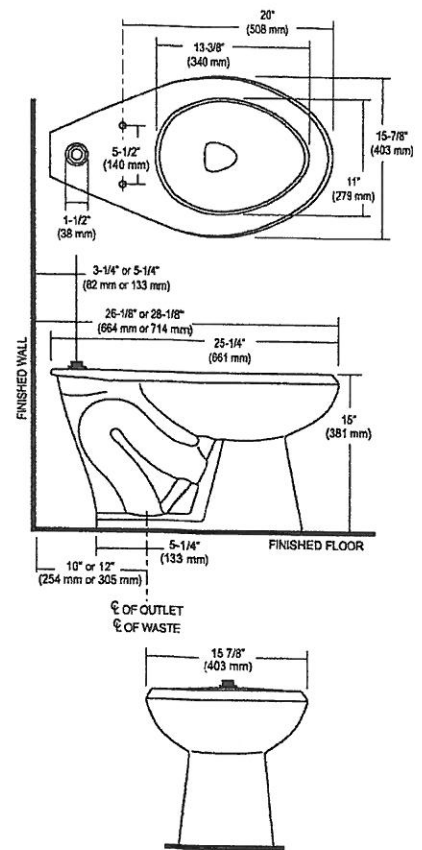
- Vitreous China
- Floor Mounted
- Siphon Jet Flushing Action
- 1-1/2" IPS top spud inlet
- 2-1/8" trapway diameter
- Fully Glazed Trapway
- Integral Flushing Rim
- Elongated Bowl
- Water Spot Area 10" x 7 1/2"
- Closet Bolts and Caps Included
- Water closet compliant to the applicable sections of ASME A112.19.2/CSA B45.1
- Toilet Seat Not Included

Colors/Finishes

- White

Recommended Seats

- Bemis - 1955CT/1955SSCT & 2155CT/2155SSCT
- Church - 295CT/295SSCT & 2155CT/2155SSCT



NOTE: All vitreous china dimensions shown in these drawings are nominal. Dimensions can vary within the tolerances established in the governing ASME A112.19.2/CSA B45.1 standard. Please take this into consideration when planning rough-in and plumbing layouts.

Product Specification
 Elongated water closet shall be made of vitreous china with a 1-1/2" top spud. Water Closet shall be floor mounted. Water Closet shall be Sloan Model ST-2009-A.

* Please note that this model is fully interchangeable with Models: ST-2000-A, ST-2002-A, ST-2003-A and matches all dimensional and performance parameters.

** This model meets the requirements for a High Efficiency Toilet when used with a high efficiency flushometer (1.28 gpf/4.8 Lpf or 1.1/1.6 gpf-4.2/6.0 Lpf dual-flush).

NOTE: Plumbing System Requirements

- ✓ Minimum **Flowing** Pressure: 25 PSI
- ✓ Maximum Static Pressure: 80 PSI
- ✓ Minimum Flow Rate: 18 GPM



This space for Architect/Engineer approval	
Job Name	Date
Model Specified	Quantity
Variations Specified	
Customer/Wholesaler	
Contractor	
Architect	

The information contained in this document is subject to change without notice.

SLOAN.

Sloan Headquarters
 10500 Seymour Avenue
 Franklin Park, IL 60131
 Phone: 1-800-982-5839
 Fax: 1-800-447-8329
 www.sloanvalve.com

© 2013 Sloan Valve Company
 ST-2009 10-13



JAY R. SMITH MFG CO.
 DISTRIBUTED by ACUDOR/ACORN
 1125 Squires Beach Road, Pickering, ON L1W 3T9
 Tel: (905) 427-9957 Email: sales@acudoracornltd.com
 www.acudoracornltd.com

LOCATION

Wall Hydrant

DRAWING NUMBER
S5609QT-CAN

SIZE
A

SCALE:
NONE

DATE:
1-2-90

APPROVED BY:
SJM

CHECKED BY:
SB

DRAWN BY:
EMB

FIGURE NUMBER
5609QT-

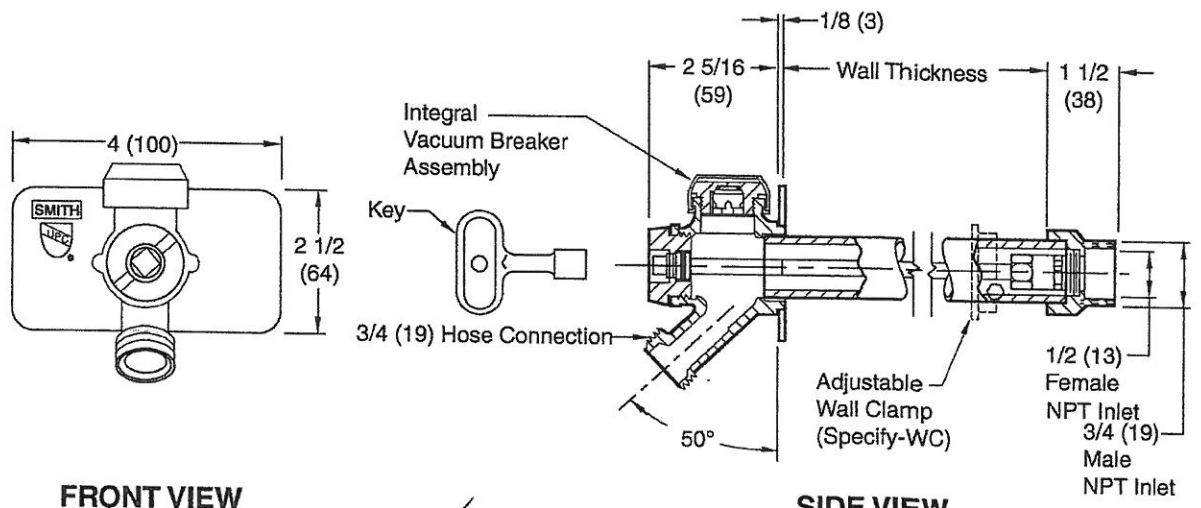
WE CAN ASSUME NO RESPONSIBILITY FOR USE OF SUPERSEDED OR VOID DATA

QUARTERHORSE 1/4 TURN NON FREEZE WALL HYDRANT WITH INTEGRAL VACUUM BREAKER

EXPOSED HOSE CONNECTION

FUNCTION: For installation in interior or exterior building walls where an exposed hose connection is acceptable. Provides positive non-freeze protection and features an integral vacuum breaker. Adaptable to all types of wall construction.

1/4 Turn of the Key Allows Full Flow to be Obtained



~~FIG. 5609QT~~

Seepage of a small amount of water may occur from the vacuum breaker upon the initial opening of this hydrant. This is normal operation.

REGULARLY FURNISHED:
 Bronze Nickel Plated Quarter Turn Non-Freeze Hydrant with 3/4" (19) Hose Connection, Backer Plate, Integral Vacuum Breaker with Vandal Resistant Cap and "T" Handle Key.

- VARIATIONS:**
- Adjustable Wall Clamp -WC
 - 1" (25) Hose Connection -HC1
 - 1" (25) Male NPT Inlet Connection -IC1
 - Wheel Handle -WH

- OPTIONAL MATERIALS:**
- Chrome Plated -CP
 - Chrome Plated Backer Plate -BPCP
 - Polished Bronze -PB
 - Polished Bronze Backer Plate -BPPB

* Add 3/4" (19) to Overall Length When Specified

PATENTED

- NOTES:**
- Recommended wall opening 2(51) x 2(51). Hydrant shall be in the vertical position only, the hose connection must be on the bottom.
 - When ordering, specify wall thickness in 02"(51) increment as follows: 04(100), 06(150), 08(205), 10(255), 12(305), 14(355), 16(405), 18(455), 20(510), 22(560) or 24"(610). When wall clamp -WC is desired, increase wall thickness dimension by 2"(51).
 - All Jay R. Smith hydrants are manufactured with "NO-LEAD" brazing rings and USDA approved lubricants.
 - The AB1953, California Lead Law, and NSF/ANSI Standard 61-2008 - Drinking Water System Components are not applicable to Jay R. Smith hydrants as they do not convey/dispense water for human consumption through drinking or cooking.
 - Dimensions shown in parentheses are in millimeters.
 - FOR IRRIGATION PURPOSES ONLY.**

REV.	DATE	DESCRIPTION	BY	CKD. BY	WEIGHT POUNDS	VOLUME CUBIC FEET	FIGURE NUMBER
	2-1-13	Revised Notes	TBW	CL			5609QT-
	6-13-11	Revised Note	TBW	CL			
	5-17-11	Added Note	TBW	CL			
	10-7-09	Revised Notes	RN	CL			

SEE REVERSE SIDE

EUGENE SCHOOL DISTRICT 4J
Adams Elementary School - Restroom Addition
C.I.P. 420.104.100

SECTION 01 60 00
PRODUCT REQUIREMENTS

SUBSTITUTION REQUEST FORM

TO: Rodd Hansen, Architect, LLC
1551 Oak Street, Suite A
Eugene, Oregon 97401

DEADLINE: November 4, 2014

PROJECT: Adams Elementary School - Restroom Addition
Eugene School District 4J

CIP # 420.104.100

ITEM: 224200 1 2.1-A Wall Hydrant
Section No. Page No. Paragraph Description

The Undersigned requests consideration of the following substitution:

JK Smith 5609QT

The Undersigned states that the following paragraphs are true, except where noted otherwise:

1. The function, appearance and quality of the proposed substitution are equivalent or superior to the specified item;
2. The proposed substitution does not affect dimensions shown on the Drawings;
3. The Undersigned will pay for changes to the building design, including engineering and design services, detailing and construction costs caused by the requested substitution;
4. The proposed substitution will have no adverse affect on other trades, the construction schedule, or specified warranty requirements;
5. Maintenance and service parts will be locally available for the proposed substitution;
6. The Undersigned has attached data concerning the proposed substitution, including: Manufacturers product description, specifications, drawings, photographs, performance and test data, adequate for evaluation of the request, with applicable portions of the data clearly indicated. Attachments also includes description of changes to Contract Documents which the proposed substitution will require for its proper installation.

Submitted by: PAT Kelley

Signature: Patricia Kelley

Firm: Brakey Gray & Assoc.

Address: 2818 E 2ND ST.

Telephone: 360-693-9900

Fax: 693-7997

Date: 11/4/14

END OF SECTION 01 60 00