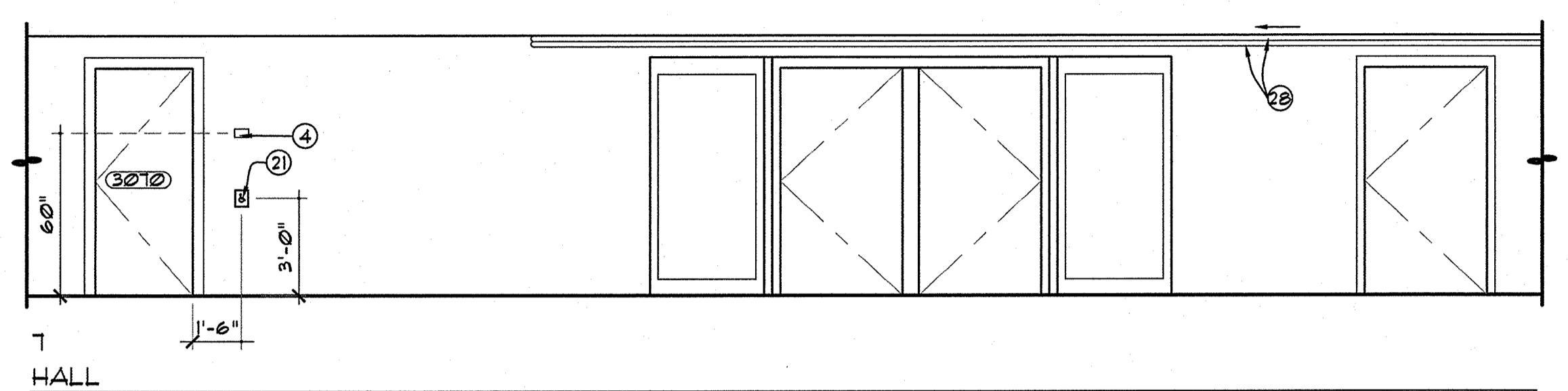
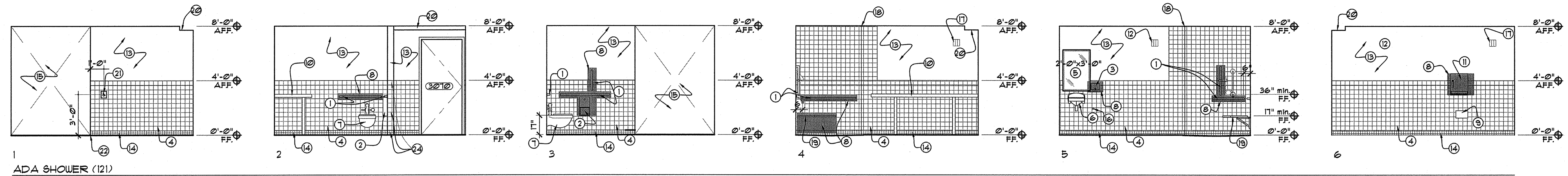
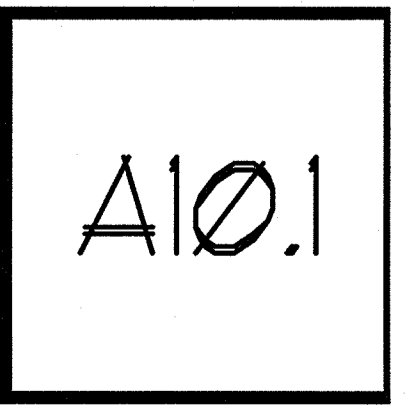


THE DOCUMENT AND THE IDEAS AND DESIGNS INCORPORATED HEREIN ARE THE PROPERTY OF RODD HANSEN ARCHITECT, LLC, AND IS NOT TO BE USED, IN WHOLE OR PART, FOR ANY OTHER PROJECT WITHOUT THE WRITTEN AUTHORIZATION OF RODD HANSEN ARCHITECT, LLC

RODD HANSEN ARCHITECT, LLC
 1551 Oak Street, Suite A
 Eugene, Oregon 97401
 Phone: (541) 681-1800
 Fax: (541) 681-1200
 E-Mail: rodd@rhanarchitectural.com

EUGENE SCHOOL DISTRICT 4J:
 ADAMS ELEMENTARY SCHOOL
 RESTROOM ADDITION
 950 W. 22nd
 EUGENE, OR 97405

INTERIOR
 TITLE: ELEVATIONS
 JOB#: 1148.07121014
 DRAWN BY: J&R
 ISSUE DATE: 10-22-2014
 SCALE: 1/4"=1'-0"



- GENERAL NOTE
- THE TILE THAT IS THE TRANSITION PIECE FROM TILE TO PAINTED WALL WILL BE A BULLNOSE TILE.
 - THE ARCHITECTURAL INTENT IS TO MATCH THE CURRENT RESTROOMS IN THIS WING.
 - ALL WALL TILES ABOVE 4'-0" WILL BE FIELD TILE COLOR 32 (NO ACCENT TILES).
 - CONTRACTOR TO MATCH AND PATCH ANY AREAS OF DAMAGE DUE TO DEMOLITION OR NEW CONSTRUCTION.

HARDWARE SCHEDULE

MANUFACTURERS SPECIFIED:

PRODUCT SPECIFIED	MANUFACTURER SPECIFIED	SYMBOL SPECIFIED	APPROVED EQUAL
BUTTS	IVES	I	NONE
LOCKSETS	SCHLAGE	SCH	NONE
CYLINDERS	SCHLAGE	SCH	NONE
CLOSERS	LCN	LCN	NONE
OPERATORS	LCN	LCN	NONE
KICKPLATES	IVES	I	NONE
STOPS	IVES	I	NONE
SEALS	PEMKO	P	NONE

KEYING: PROVIDE CONSTRUCTION CYLINDERS. KEY ALL NEW CYLINDERS INTO EXISTING GRAND-MASTER KEY SYSTEM.

HARDWARE GROUPS:

GROUP 1

DOOR 1030

1	EA	CONTINUOUS HINGE 224 HD	ALUM	I
1	EA	PRIVACY INDICATOR L3436 06A	626	SCH
1	EA	OPERATOR 4642	ALUM	LCN
2	EA	FUSH 8310-856T	630	LCN
1	EA	ELECTRIC STRIKE 6216	626	VD
1	EA	ARMOR PLATE 34X 2LDW	630	I
1	EA	WALLSTOP 4025	630	I
1		SET SEALS FK33	BLACK	P

- KEY NOTE
- GRAB BAR (PER ADA REQUIREMENT)
 - TOILET PAPER DISPENSER (O.F.C.I.)
 - SOAP DISPENSER (O.F.C.I.)
 - TILE
 - MIRROR (O.F.C.I.)
 - SINK
 - WALL HUNG TOILET
 - SHADED AREA INDICATES 2x6 BLOCKING IN WALL
 - WALL HEATER (AS SELECTED)
 - LINEO SOLUTIONS SHOWER STRETCHER (L12403)
 - PAPER TOWEL DISPENSER (NOTE: ELECTRICIAN TO SUPPLY POWER FOR FUTURE HAND DRYER BEHIND THIS UNIT) (O.F.C.I.)
 - OCCUPANCY MOTION SENSOR (LOCATION TO BE VERIFIED BY ELECTRICIAN) EXHAUST FAN AND LIGHTS TO BE WIRED TOGETHER
 - PAINT
 - TILE BASE
 - OPEN TO BEYOND
- WAINSCOT TILE KEY
 DALTILE 4x4 MOSAIC TILES OR EQUIV.
- TILE TOP ROW COLOR
 31. SEMI-GLOSS / SUEDE GRAY 0182
- TILE FIELD COLOR
 32. SEMI-GLOSS / MATTE ALMOND X135
- EVENLY DISTRIBUTED TILE ACCENT COLORS (IN THIS ORDER PER ROW)
 33. SEMI-GLOSS / MATTE FIRE BRICK Q033
 34. SEMI-GLOSS / FLUM CRAZY Q118
 35. SEMI-GLOSS / GALAXY 1469
 36. SEMI-GLOSS / MUSTARD Q012
 37. SEMI-GLOSS / OAK MOSS 0195
 38. SEMI-GLOSS / SUEDE GRAY 0182
- TILE BASE COLOR (BOTTOM TWO ROWS)
 SEE WAINSCOT TILE KEY
- FLOOR TILE KEY
 DALTILE 2x2 KEYSTONES TILES OR EQUIV.
- TILE FIELD COLOR
 41. KEYSTONES / CASTLE ROCK D618
- EVENLY DISTRIBUTED TILE ACCENT COLORS (IN THIS ORDER PER ROW)
 42. KEYSTONES / OAK MOSS D195
 43. KEYSTONES / NAUTICAL BLUE D621
 44. KEYSTONES / MUSTARD D181
 45. KEYSTONES / DEEP PURPLE D044
- MOSAIC TILE BASE COLOR (BOTTOM TWO ROWS)
 SEE WAINSCOT TILE KEY
- NOTE: THE BORDER AROUND THE PERIMETER OF THE ROOM WILL BE FIELD COLOR 41 (NO ACCENT COLORS) MIN. ONE ACCENT TILE IN EACH ROW

FINISH SCHEDULE

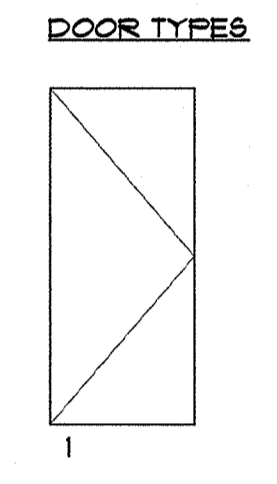
ROOM #	ROOM NAME	FLOOR MAT.	FLOOR FINISH	WALL MAT.	WALL BASE	WALL FINISH				CEILING HEIGHT	REMARKS	ROOM #
						N	W	S	E			
--	ADA SHOWER ROOM	M2	F2	M4, M5, M6	F5	F2, F3, F4	F2, F3, F4	F2, F3, F4	F2, F3, F4	8'-0"	EPOXY GROUT (COLOR AS SELECTED (ALL TILE))	--

MATERIAL LEGEND

M1 EXISTING TO REMAIN
 M2 NEW CONCRETE
 M3 NOT USED
 M4 5/8" CEMENTITIOUS BOARD (BEHIND ALL TILE)
 M5 5/8" MR TYPE 'X' GYP. BOARD (ALL PAINTED SURFACES BEHIND WATER FIXTURES AND TO EXTEND 2" BEYOND)
 M6 5/8" TYPE 'X' GYP. BOARD (ALL PAINTED SURFACES AND CEILING)

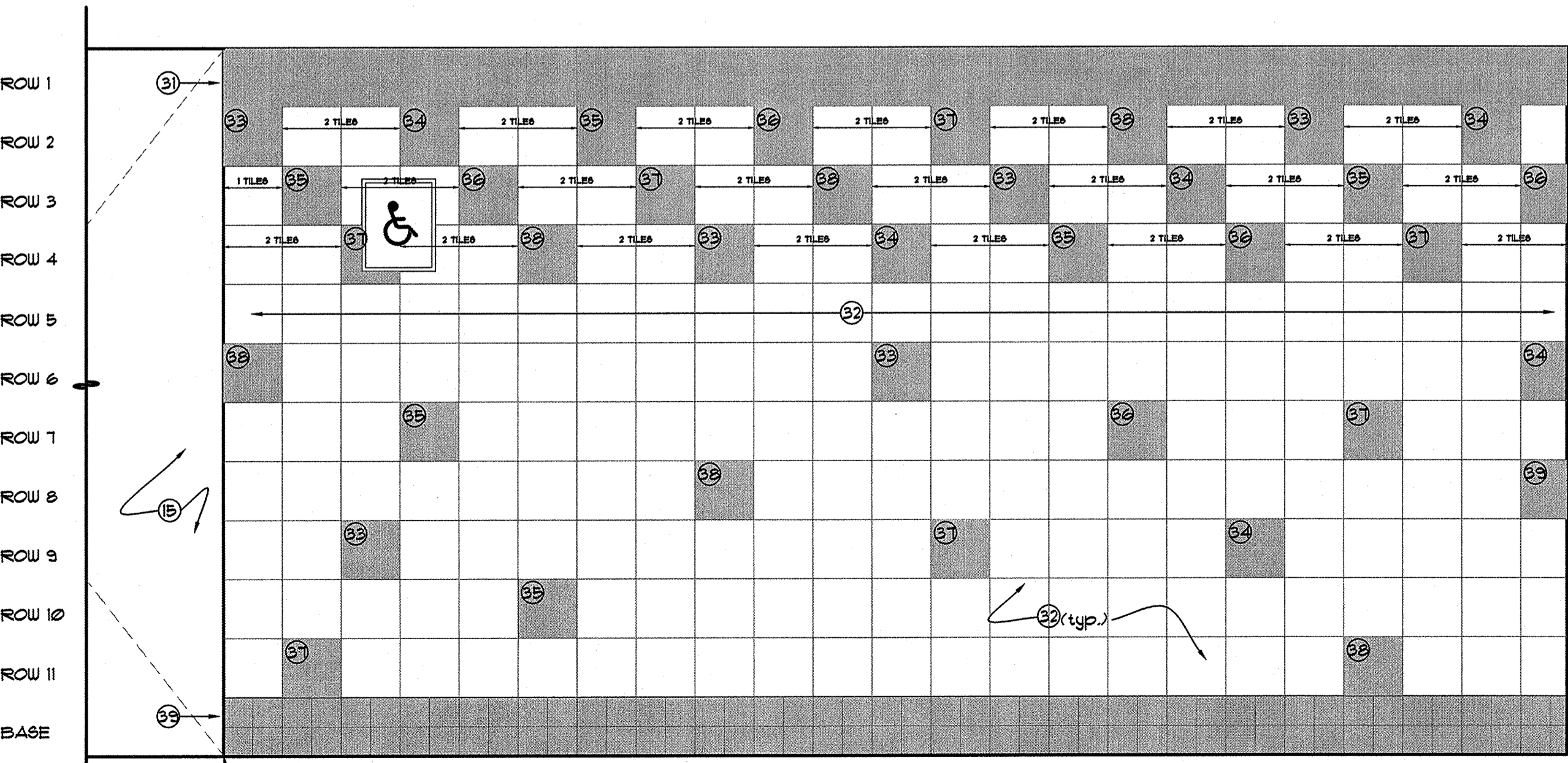
FINISH LEGEND

F1 EXISTING TO REMAIN
 F2 TILE SEE COLORS, TYPES AND LOCATIONS BELOW ON THIS PAGE
 F3 GROUT (COLOR AS SELECTED) / SEALER
 F4 TAPE / TEXTURE TO MATCH EXISTING / PRIME / PAINT W/ EPOXY PAINT
 F5 CERAMIC TILE COVE BASE

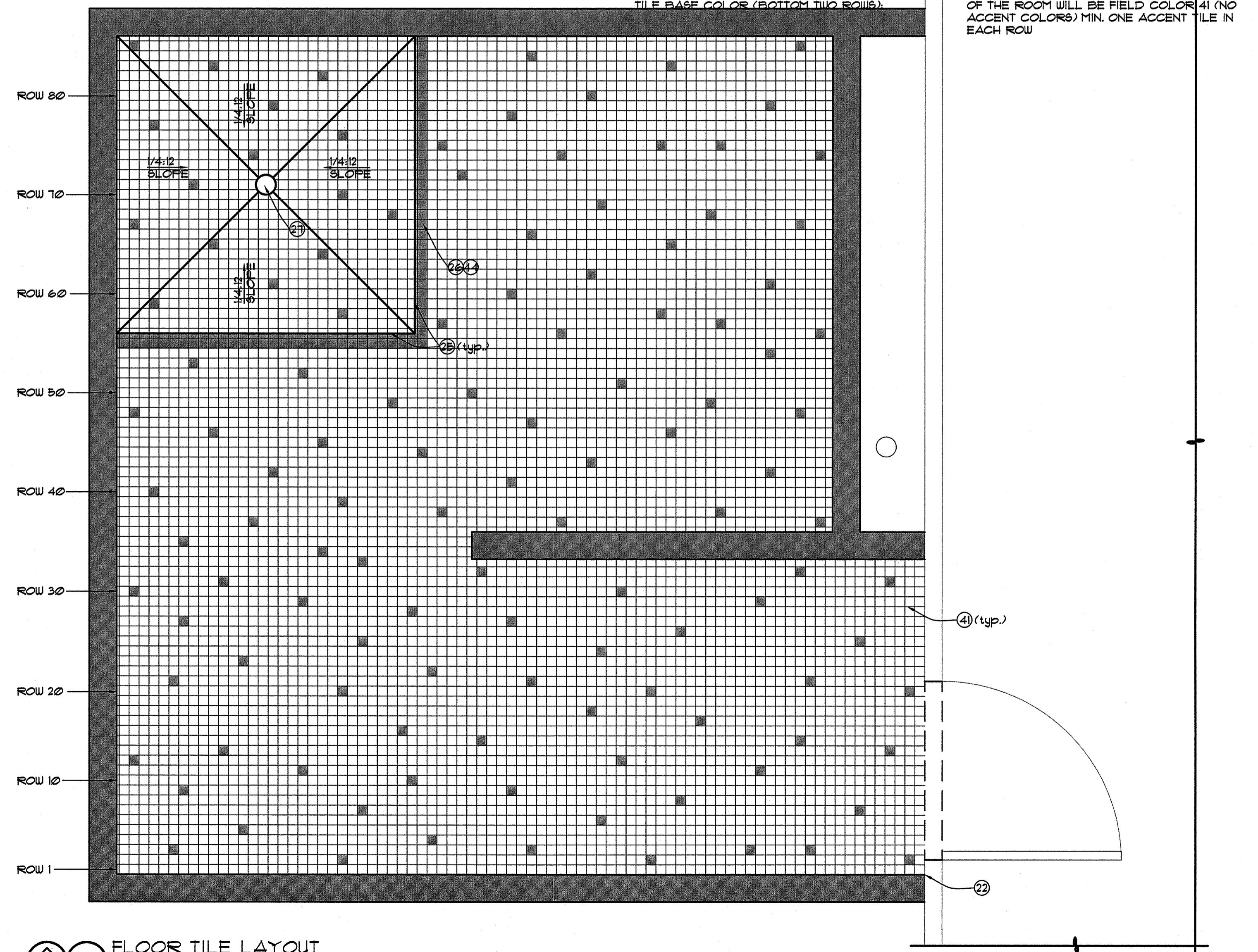


DOOR SCHEDULE

TAG	TYP.	DOOR					FRAME			FIRE RATING LABEL	HARDWARE		NOTES	TAG	
		WD	HGT	THK	MATL	GLAZING	HEAD	JAMB	SILL		GROUP NO	KEYSIDE RM NO			
121a	1	3'-0"	7'-0"	1-3/4"	SC. WD.	--	--	--	--	--	1			PAINT GRADE DOOR	



FROM THIS STARTING POINT CONTRACTOR WILL FOLLOW THE COLOR PATTERN AS NUMBERED IN EACH ROW (AROUND THE ROOM) FOLLOWING THE COLOR PATTERN AS NUMBERED.



WALL TILE LAYOUT SCALE: 1 1/2" = 1'-0"

FLOOR TILE LAYOUT SCALE: 3/4" = 1'-0"