

Phone: ()- Fax: ()-

Project Name: EDGEWOOD ELEMENTARY SCHOOL
 Project Location: EUGENE
 Customer Name: SCOFIELD ELECTRIC CO
 Q2C Number: 34848376
 Quote Number: 1

Accessories
 Fuses NOT Included
 Overloads NOT Included
 Lamps NOT Included
 Lug Kits NOT Included

Item Number	Quantity	Catalog Number / Details	Unit Price	Extended Price
001-00	1	<p>Designation: MAIN SERVICE SWITCHBOARD Square D Custom Swbd QED Switchboard</p> <hr/> <p>Square D Custom Swbd Designed and Tested in accordance with: UL 891/NATIONAL ELECTRIC CODE/NEMA PB-2 System Voltage - 208Y/120V 3Ph 4W 60Hz Source Description - Single Main System Ampacity - 1200A Bussing - Silver Plated Copper Neutral Bus - 100% Max Available Fault Current (RMS) - 35kA Enclosure - Type 1 Drip Hood(s) Accessibility: Front Only Taped Horizontal Through Bus Rodent Barrier Exterior Paint Color - ANSI 49 Ground Lug provided for each device Copper Ground Bus Lineup 1 BTU: 10448 Seismic Qualified</p> <p>Dimensions</p> <hr/> <p>1 - 42" Wide Section(s) 1 - 30" Wide Section(s) 1 - 36" Wide Section(s) 3 - 24" Deep Enclosure(s) Dimensions: 108.00" W X 24" Max D X 91.5" H Approximate Weight: 2292.00</p> <p>Incoming Requirements</p> <hr/> <p>Suitable for Use As Service Entrance Entry Point: Right of Lineup, Through the Bottom Connection Type: Cable Surge Arrestor SPD with Surge Rating 160kA SPD Dry Contacts Includes Surge Counter Hot Sequence Utility: EWEB Power Meter - PM-870RD 3 CTs PM870 w/ Display - 3 phase 4 wire wye 1200A Ethernet Communications Card</p> <p>Mains</p> <hr/> <p>1 - 1200AT 208V 80% Rated 65 kA 3 Pole UL, Fixed Mounted Basic Electronic Trip Circuit Breaker: Type PG Padlock Attachment</p> <p>Feeders</p> <hr/> <p>6 - 200AT 208V 80% Rated 65 kA 3 Pole UL, Group Mounted Thermal Magnetic Circuit Breaker: Type IG</p>		

Phone: ()- Fax: ()-

Project Name: EDGEWOOD ELEMENTARY SCHOOL
Project Location: EUGENE
Customer Name: SCOFIELD ELECTRIC CO
Q2C Number: 34848376
Quote Number: 1

Accessories
 Fuses NOT Included
 Overloads NOT Included
 Lamps NOT Included
 Lug Kits NOT Included

Item Number	Quantity	Catalog Number / Details	Unit Price	Extended Price
-------------	----------	--------------------------	------------	----------------

- 2 - 300AT 208V 80% Rated 42 kA 3 Pole UL, Group Mounted Thermal Magnetic Circuit Breaker: Type LA
 - 1 - 125AT 208V 80% Rated 65 kA 3 Pole UL, Group Mounted Thermal Magnetic Circuit Breaker: Type HG
 - 1 - 90AT 208V 80% Rated 65 kA 3 Pole UL, Group Mounted Thermal Magnetic Circuit Breaker: Type HG
 - 1 - 175AT 208V 80% Rated 65 kA 3 Pole UL, Group Mounted Thermal Magnetic Circuit Breaker: Type JG
- Common Feeder Features:
 Padlock Attachment

Estimated Ship Days (ARO): 50 Working Days

002-00

1

Designation: PANEL G
 NQ Panel (Interior)
 NQ Panelboard
 Consisting of
 208Y/120V 3Ph 4W 60Hz SCCR: 30kA
 Series Rated w/ HG Circuit Breaker
 SPD 80kA per Phase/40kA per Mode
 SPD line to grd protect
 w/SPD Surge Counter
 w/SPD Dry Contacts
 Main Lug Only: 125A
 Incoming Conductors: 1 - #6 - 350 kcmil
 Bus: Copper: Silver/Tin Plated
 CU Ground Bar
 42 Circuit Interior
 Type 1, Box: 38H x 20W x 5.75D
 Incoming: Bottom Trim: Surface - Hinged
 Box Cat No: MH38 Front Cat No: NC38SHR
 Ref. Drawing: PBA701HR
Feeders:
 2 - 70A/3P QOB
 1 - 15A/3P QOB
 12 - 20A/1P QOB
 6 - 40A/1P QOB Prepared Space
 1 - 50A/2P QOB
Optional Features:
 Standard Panel (Box Ahead), Copper Solid
 Neutral, SPD Model BIA, Copper Ground Bar
Standard Nameplate:
 Engraved as Follows
 Line 1: PANEL G
 Size: 3.50" Wide x 1.00" High (Std)
 Color: White Surface / Black Letters
 Plastic/Adhesive - Screw-on

Estimated Ship Days (ARO): 15 Working Days



Phone: ()- Fax: ()-

Project Name: EDGEWOOD ELEMENTARY SCHOOL
Project Location: EUGENE
Customer Name: SCOFIELD ELECTRIC CO
Q2C Number: 34848376
Quote Number: 1

Accessories
 Fuses NOT Included
 Overloads NOT Included
 Lamps NOT Included
 Lug Kits NOT Included

Item Number	Quantity	Catalog Number / Details	Unit Price	Extended Price
004-00	1	Designation: PANEL G MH38 (Box) NQ Standard TYPE 1 Box 38 H Estimated Ship Days (ARO): 4 Working Days		
005-00	1	Designation: PANEL G NC38SHR (Trim) Trim Surface Hinged 38"H Estimated Ship Days (ARO): 15 Working Days		

REV	DESCRIPTION	BY	DATE						
-	----	--	--/--/--	-	----	--	--/--/--	-	----

SWITCHBOARD GENERAL NOTES

PRODUCT DESCRIPTION & RATINGS

Power System Data

208Y/120V 3Ph 4W 60Hz / 3 Phase Wye
 Solidly Grounded
 System Short Circuit Current Rating: 35kA RMS
 Incoming Section 3 Cable Through the Bottom Right of Lineup

Bus System Data

1200A Silver Plated Copper Main Bus
 (2) .25x1.50 IN/6x38 mm Cu Bus Bar Per Phase/Neutral
 (1) .25x.875 IN/6x22 mm Cu Ground Bus
 Insulated/Taped bus

Enclosure Data

Type 1 Free Standing
 Driphoods
 Exterior Paint Color: ANSI 49
 Front Accessibility Only Required
 Handling: Rollers & Lifting Assemblies
 Rodent barriers
 Utility sealing hardware installed for unmetered bus compartments

Estimated Shipping Weight

Shipping Split 1 890.00 lbs / 403.70 kgs
 Shipping Split 2 485.00 lbs / 220.00 kgs
 Shipping Split 3 917.00 lbs / 415.95 kgs
 Complete Lineup 2292.00 lbs / 1039.65 kgs

Code Standards

U.L. Deadfront and suitable for use as Service Entrance
 when not more than six (6) disconnecting means are provided.

Rating Nameplates

ST1- Deadfront- Section Bus 1200A
 ST2- Deadfront- Section Bus 1200A
 ST3- Service Entrance - Section Bus 1200A

PRODUCT INFORMATION

Wiring

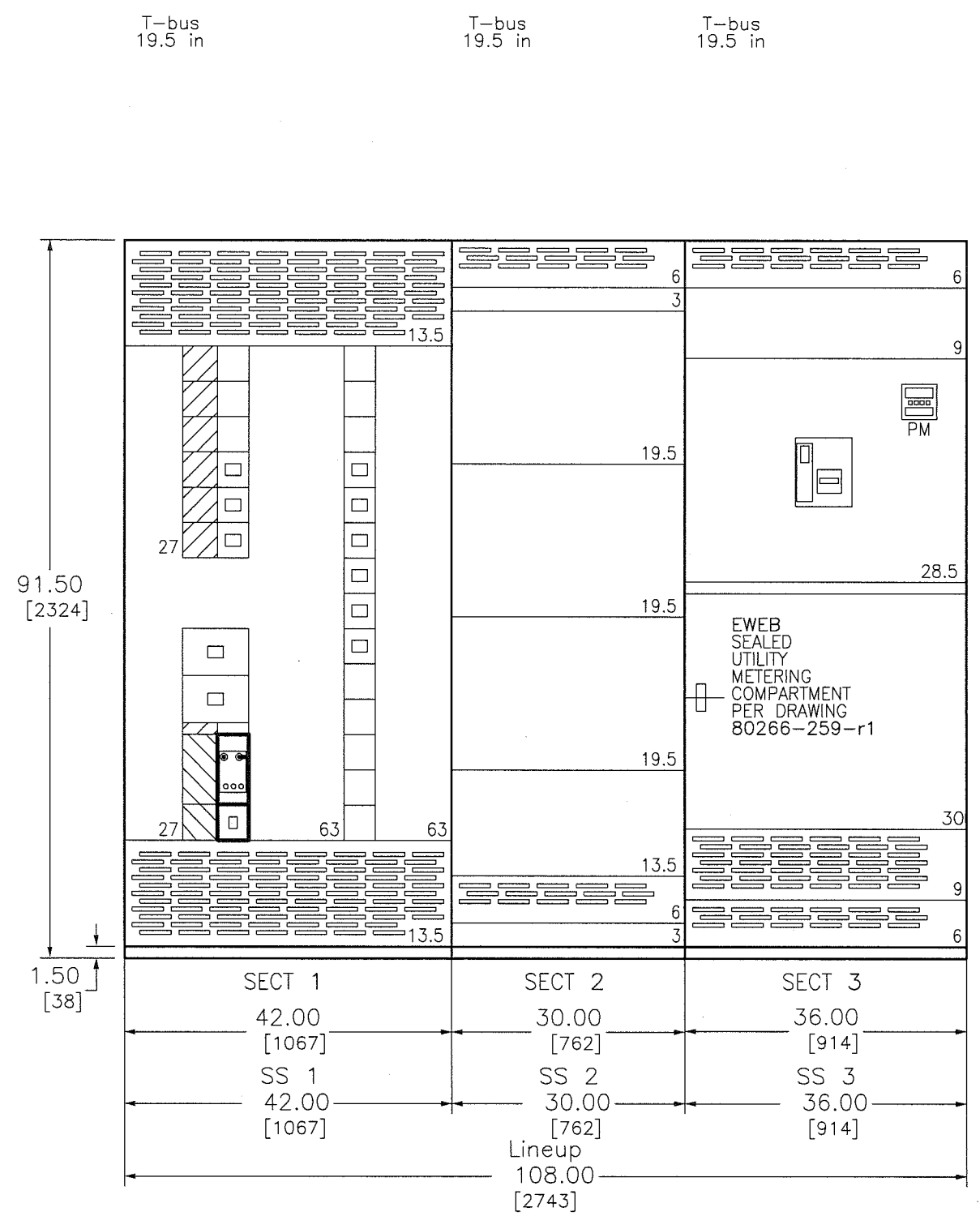
All wiring to be Machine Tool Wire type

Instruction Bulletins

Reference 80043-055 For Handling, Installation,
 Anchoring, Inspection And Maintenance Information

Product Accessories/Options

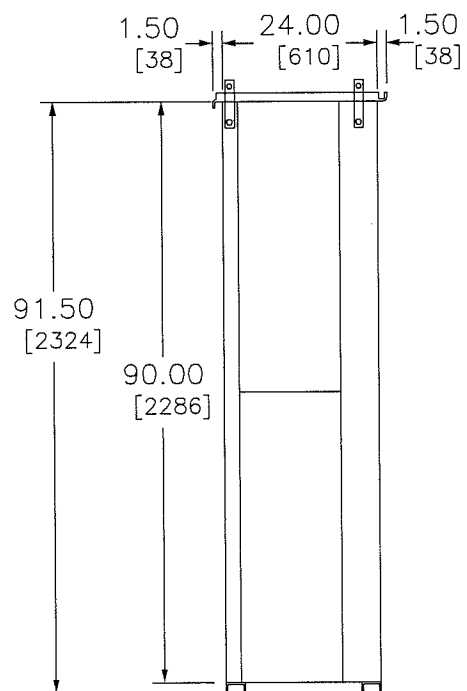
Seismic Qualified



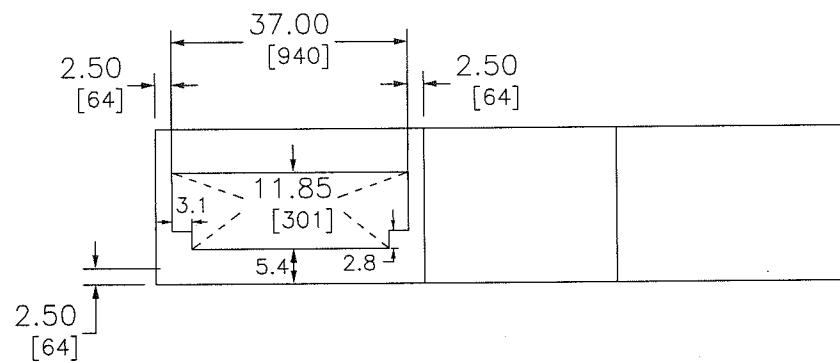
ENGLISH DIMENSIONS: INCHES

JOB NAME:	EDGEWOOD ELEMENTARY SCHOOL	EQUIPMENT DESIGNATION:	MAIN SERVICE SWITCHBOARD
JOB LOCATION:	EUGENE OR	EQUIPMENT TYPE:	QED Switchboard
DRAWN BY:	(Q2C)	DRAWING TYPE:	ELEVATION VIEW
ENGR:			
DATE:	April 30 2014		
DRAWING STATUS:	QUOTE	NOT FOR CONSTRUCTION	DWG# F34848376-01

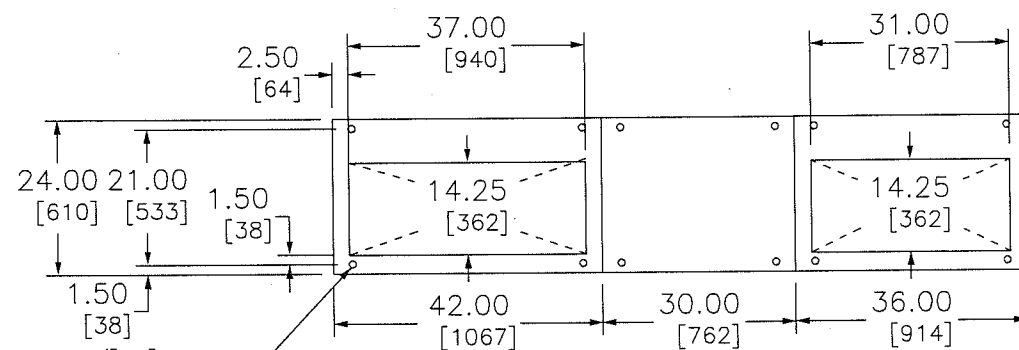
REV	DESCRIPTION	BY	DATE						
-	-	-	-	-	-	-	-	-	-



LEFT SIDE VIEW




TOP VIEW - FRONT



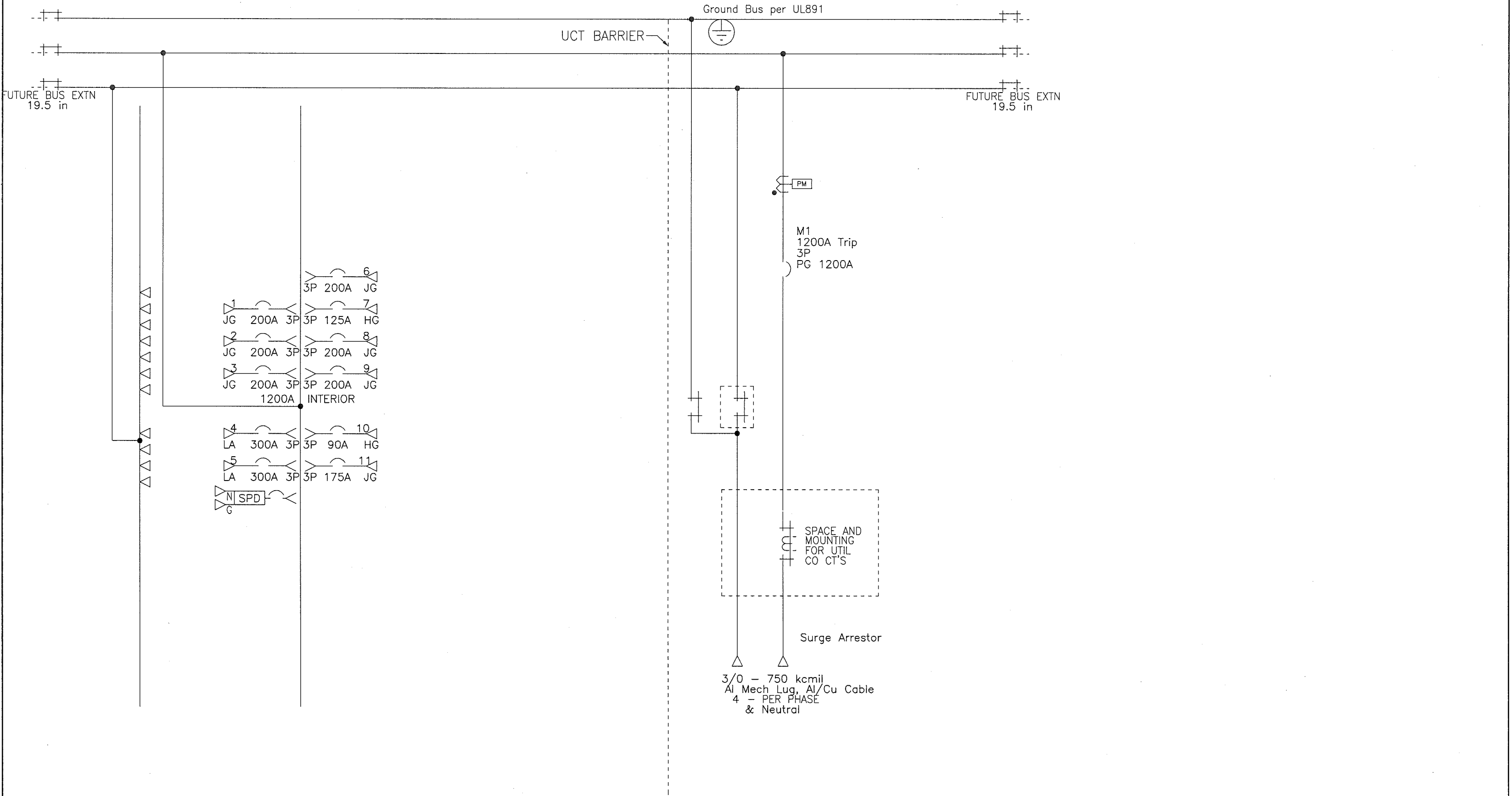
FLOOR PLAN - FRONT

.75/[19] DIA
MTG HOLES OFFSET
3.00/[76] TYP
FROM SIDE

ENGLISH DIMENSIONS: INCHES

JOB NAME:	EDGEWOOD ELEMENTARY SCHOOL	EQUIPMENT DESIGNATION:	MAIN SERVICE SWITCHBOARD
JOB LOCATION:	EUGENE OR	EQUIPMENT TYPE:	QED Switchboard
DRAWN BY:	(Q2C)	DRAWING TYPE:	SIDE, TOP VIEW & FLOOR PLAN
ENGR:		 SQUARE D	
DATE:	April 30 2014	<small>by Schneider Electric</small>	
DRAWING STATUS:	QUOTE	NOT FOR CONSTRUCTION	DWG# F34848376-01
			PG 2 OF 2 REV


REV	DESCRIPTION	BY	DATE						
-									



SECTION 1

SECTION 2

SECTION 3


JOB NAME:	EDGEWOOD ELEMENTARY SCHOOL	EQUIPMENT DESIGNATION:	MAIN SERVICE SWITCHBOARD
JOB LOCATION:	EUGENE OR	EQUIPMENT TYPE:	QED Switchboard
DRAWN BY:	(Q2C)	DRAWING TYPE:	ONE LINE
ENGR:		 by Schneider Electric	
DATE:	April 30 2014		
DRAWING STATUS:	QUOTE	DWG# 034848376-01	PG 1 OF 2 REV -

REV	DESCRIPTION	BY	DATE																
-	----	--	---/---/---	-	----														

POWER STYLE QED-2 SWITCHBOARD

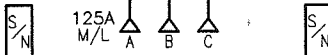
SECT NO	CKT NO	GMD HEIGHT	DEVICE/FRAME RATING	TRIP AMP	FUSE/TRIP	#P	DESIGNATION	N/P	LUG INFORMATION				ACCESSORIES
									QTY	PHASE WIRE RANGE	QTY	NEUT. WIRE RANGE	
1	1	4.5 in	JG	200A	-	3P	Alder PANEL A	No	1	3/0 - 350 kcmil	1	#6 - 350 kcmil	PLA
1	2	4.5 in	JG	200A	-	3P	Birch PANEL B	No	1	3/0 - 350 kcmil	1	#6 - 350 kcmil	PLA
1	3	4.5 in	JG	200A	-	3P	Cedar PANEL C	No	1	3/0 - 350 kcmil	1	#6 - 350 kcmil	PLA
1	4	6 in	LA	300A	-	3P	Office PANEL D	No	1	#1 - 600 kcmil	1	#4 - 600 kcmil	PLA
1	5	6 in	LA	300A	-	3P	Kitchen PANEL E	No	1	#1 - 600 kcmil	1	#4 - 600 kcmil	PLA
1	-	13.5 in	160kA SPD	-	-	-	-	-	-	-	-	-	SPD
1	6	4.5 in	JG	200A	-	3P	Gym PANEL F	No	1	3/0 - 350 kcmil	1	#6 - 350 kcmil	PLA
1	7	4.5 in	HG	125A	-	3P	Service Room PANEL G	No	1	#14 - 3/0 AWG	1	#6 - 350 kcmil	PLA
1	8	4.5 in	JG	200A	-	3P	Doug Fir PANEL H	No	1	3/0 - 350 kcmil	1	#6 - 350 kcmil	PLA
1	9	4.5 in	JG	200A	-	3P	Evergreen PANEL K	No	1	3/0 - 350 kcmil	1	#6 - 350 kcmil	PLA
1	10	4.5 in	HG	90A	-	3P	HP-1	No	1	#14 - 3/0 AWG	1	#14 - 1/0 AWG	PLA
1	11	4.5 in	JG	175A	-	3P	HP-2	No	1	1/0 - 4/0 AWG	1	#6 - 350 kcmil	PLA
3	-	-	Surge Arrester	-	-	-	-	-	-	-	-	-	SDSA
3	M1	-	PG 1200A	1200A	-	3P	MAIN BREAKER	No	-	3/0 - 500 kcmil	-	3/0 - 500 kcmil	PLA
3	UCT	-	1200A	-	-	-	EWEB	No	4	3/0 - 750 kcmil	4	3/0 - 750 kcmil	

LEGEND	
ECC	ETHERNET COMMS CARD
PLA	Padlock Attachment-Fixed
PM870	PM870
SDSA	Secondary Surge Arrester
SPD	Surge Protection Device

JOB NAME:	EDGEWOOD ELEMENTARY SCHOOL	EQUIPMENT DESIGNATION:	MAIN SERVICE SWITCHBOARD
JOB LOCATION:	EUGENE OR	EQUIPMENT TYPE:	QED Switchboard
DRAWN BY:	(Q2C)	DRAWING TYPE:	SCHEDULE
ENGR:			
DATE:	April 30 2014	DWG#	034848376-01
DRAWING STATUS:	QUOTE	PG	2 OF 2 REV -

REV	DESCRIPTION	BY	DATE				
-	----	---	---/---/---	-	----	---	---/---/---

CKT NO	ACCESSORIES	TYPE	RATING AMP/P		RATING AMP/P	TYPE	ACCESSORIES	CKT NO	
1									
3		QOB	70/3		70/3	QOB		2	
5								4	
7								6	
9		QOB	15/3		50/2	QOB		8	
11					20/1	QOB		10	
13		QOB	20/1		20/1	QOB		12	
15		QOB	20/1		20/1	QOB		14	
17		QOB	20/1		20/1	QOB		16	
19		QOB	20/1		20/1	QOB		18	
21		QOB	20/1		20/1	QOB		20	
23		QOB	20/1		20/1	QOB		22	
25	PREPARED SPACE	QOB	40/1		40/1	QOB	PREPARED SPACE	24	
27	PREPARED SPACE	QOB	40/1		40/1	QOB	PREPARED SPACE	26	
29	PREPARED SPACE	QOB	40/1		40/1	QOB	PREPARED SPACE	28	
							BLANK	30	
	Surge Counter Dry Contacts	SPD 80kA/3				SPD 80kA/3	Surge Counter Dry Contacts		



PHYSICAL DATA

ENCLOSURE Type 1

Surface - Hinged
 FRONT CAT#: NC38SHR
 BOX CAT#: MH38
 DIMENSIONS:
 38"H x 20"W x 5.75"D
 WIRE BENDING SPACE:
 TOP - 5
 BOTTOM - 9.26
 SIDE - 6.13

PBA: 701HR
 BUSSING: Copper
 Silver/Tin Plated

OPTIONAL FEATURES:
 Copper GROUND BAR
 COPPER SOLID NEUTRAL
 SPD SURGE COUNTER

-----STANDARD EQUIPMENT NAMEPLATE-----

Engraved as Follows
 LINE 1: PANEL G
 COLOR: White Surface / Black Letters
 SIZE: 3.50" Wide x 1.00" High (Std)
 TYPE: Plastic/Adhesive - Screw-on

ELECTRICAL DATA

SYSTEM: 208Y/120V 3Ph 4W 60Hz
 System Ampacity: 125A
 30kA SYMS. SCCR
 Series Rated w/ HG
 MAIN: MAIN LUGS : 125A
 Bottom FEED
 INCOMING CONDUCTORS(S) PER NEC:
 #6 - 350 kcmil

BRANCH MOUNTING TYPE: BOLT-ON

-----BRANCH SUMMATION-----
 2 - 70A/3P QOB 1 - 15A/3P QOB
 12 - 20A/1P QOB 6 - 40A/1P-PS QOB
 1 - 50A/2P QOB

JOB NAME:	EDGEWOOD ELEMENTARY SCHOOL	EQUIPMENT DESIGNATION:	PANEL G
JOB LOCATION:	EUGENE OR	EQUIPMENT TYPE:	NQ (Circuit Breaker Type) PANEL 1 OF 1
DRAWN BY:	(Q2C)	DRAWING TYPE:	ONE LINE DIAGRAM
ENGR:			
DATE:	April 30 2014	DWG#	034848376-01
DRAWING STATUS:	QUOTE	PG 1	OF 1 REV -