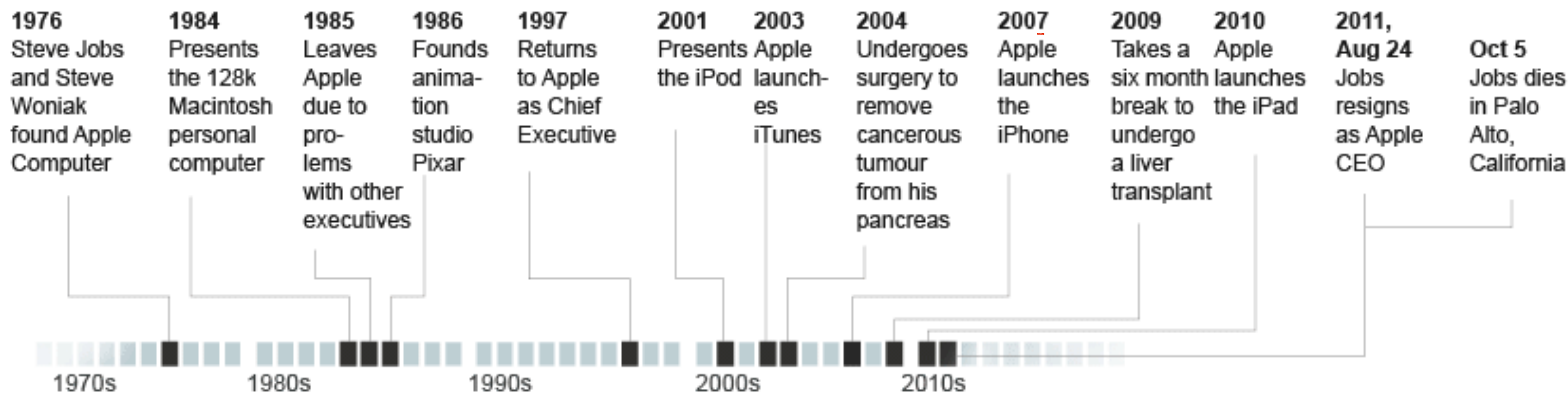




Steve Jobs, 1955-2011



Sources: Thomson Reuters, press reports



US005850941A

United States Patent [19]

Johnson et al.

[11] Patent Number: **5,850,941**

[45] Date of Patent: **Dec. 22, 1998**

- [54] **TOY WATER GUN WITH AIR SIPHONING VALVE**
- [75] Inventors: **Lonnie G. Johnson, Smyrna; Shane Matthews, Marietta, both of Ga.**
- [73] Assignee: **Johnson Research & Development Company, Inc., Smyrna, Ga.**
- [21] Appl. No.: **780,574**
- [22] Filed: **Jan. 8, 1997**
- [51] Int. Cl.⁶ **A63H 3/18**
- [52] U.S. Cl. **222/79; 222/394; 222/1**
- [58] Field of Search **222/79, 394, 630, 222/1; 239/373; 141/18, 67, 100, 105, 382**

4,214,674	7/1980	Jones et al.	222/79
4,257,460	3/1981	Paranay et al.	141/382
4,441,629	4/1984	Mackal	222/324
4,509,659	4/1985	Cloutier et al.	222/41
4,591,071	5/1986	Johnson	222/39
4,706,848	11/1987	D'Andrade	222/79
4,743,030	5/1988	Auer et al.	273/349
4,750,641	6/1988	Hun	222/798
4,757,946	7/1988	Johnson	239/99
4,875,508	10/1989	Burke et al.	141/2
4,955,512	9/1990	Sharples	222/386.5
5,029,732	7/1991	Wong	222/79
5,074,437	12/1991	D'Andrade	222/79
5,150,819	9/1992	Johnson et al.	222/79
5,155,310	10/1992	Goans	200/82
5,184,755	2/1993	Brovelli	222/79
5,184,756	2/1993	Amron	222/79
5,229,531	7/1993	Song	42/58
5,238,149	8/1993	Johnson et al.	222/79
5,244,153	9/1993	Kuhn et al.	239/587.5
5,339,987	8/1994	D'Andrade	222/79
5,360,142	11/1994	Stern et al.	222/79
5,603,361	2/1997	Cuisinier	222/79 X

[56] **References Cited**
U.S. PATENT DOCUMENTS

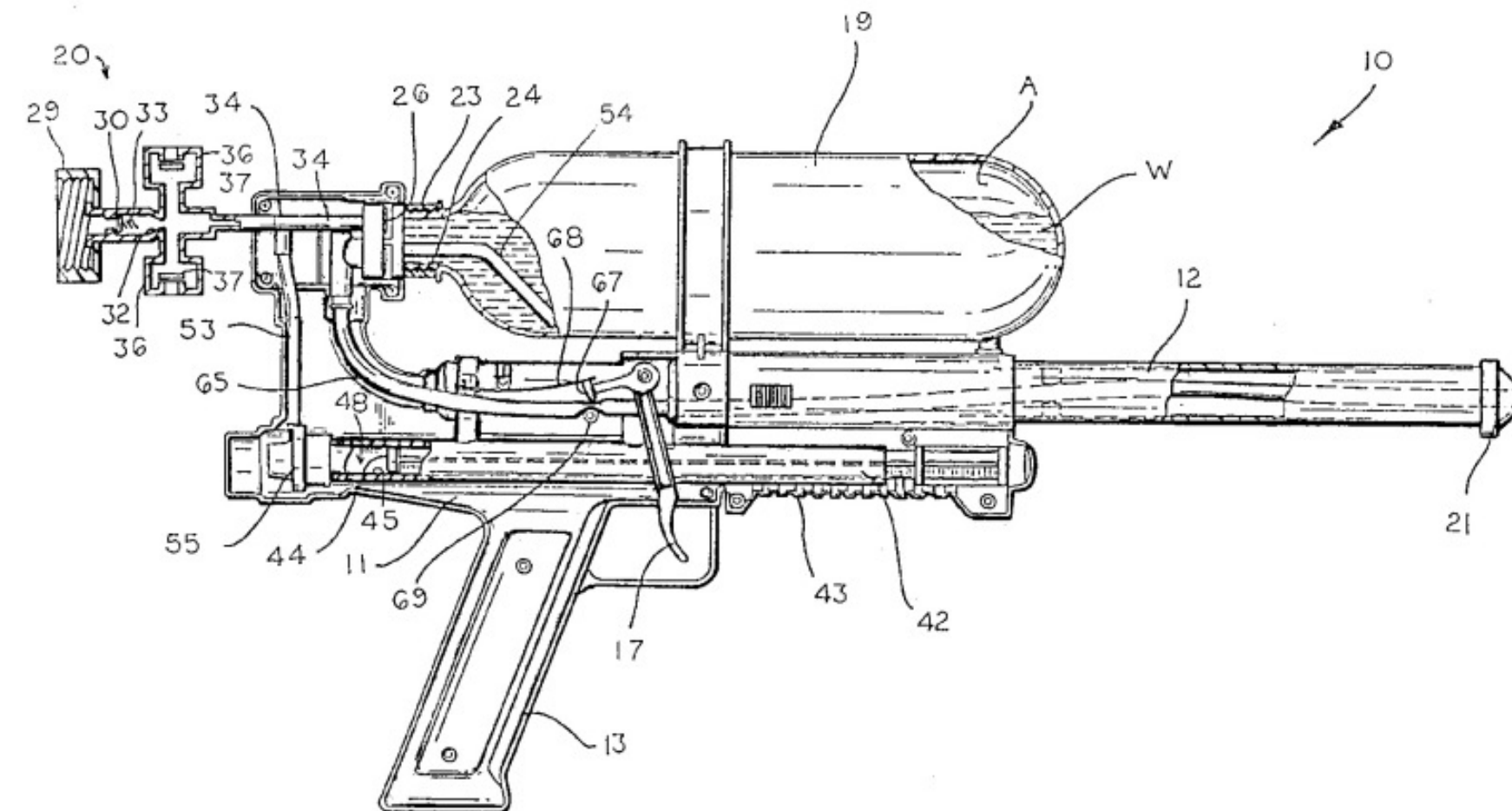
D. 78,206	4/1929	Hermann .	
D. 159,040	7/1950	Bicos	D30/1
D. 265,221	6/1982	Hardin	D21/147
D. 285,327	8/1986	Yano	D21/147
D. 297,748	9/1988	Marino	D21/147
D. 303,820	10/1989	Wong	D21/147
D. 318,309	7/1991	D'Andrade	D21/147
D. 336,939	6/1993	Salmon et al.	D21/147
D. 338,697	8/1993	Salmon et al.	D21/147
D. 340,750	10/1993	Salmon et al.	D21/147
D. 341,174	11/1993	Salmon et al.	D21/147
1,964,345	7/1934	Feller .	
2,049,194	7/1936	Chapin	43/147
2,303,510	12/1942	Swebilius	42/69
3,197,070	7/1965	Pearl	222/79
3,273,553	9/1966	Doyle	124/3
3,794,789	2/1974	Bynum	200/83 Z
4,022,350	5/1977	Amron	222/790
4,160,513	7/1979	Cockerman	222/181

Primary Examiner—Gregory L. Huson
Attorney, Agent, or Firm—Kennedy, Davis & Kennedy

[57] **ABSTRACT**

A water gun (10) is provided having a pressure tank (19) in fluid communication with a coupler (20) adapted to be received upon a conventional water faucet, and a pump (42) for conveying additional air to the pressure tank. The flow of water from the water faucet draws ambient air which is compressed within the pressure tank to pressurize the water therein. The pressurized liquid is released through a nozzle (21) coupled to the pressure tank by actuation of a trigger (17).

15 Claims, 3 Drawing Sheets





In 1930, at age 16, George Nissen came up with an idea that would revolutionize acrobatics: the trampoline. After seeing trapeze artists finish their routines by dropping into a safety net below, Nissen thought it would be even more exciting if they could somehow keep bouncing around – so he turned his parents' garage into a workshop and got cracking. His invention consisted of a metal frame with canvas stretched over it, which he christened the "bouncing rig."

While studying a business degree at the University of Iowa, Nissen continued to perfect his contraption, replacing the canvas with nylon to increase the bounce. He changed the name to "trampoline", adding an "e" to the Spanish word for "diving board", and registered it as a trademark. "There was no market for it because nobody has ever seen one," said Nissen. "I had to demonstrate its worth. And that was always my forte. I like to make new things and then market them." The late inventor spent his life traveling the world doing trampoline demonstrations and promoting both his invention and the sport. At the age of 92, he could still do a headstand.

The Example of the Immigrant

ELON MUSK...

and the Amazing Opportunities He and Those Like Him Can Bring for America



Net Worth \$12.7 Billion



Elon Musk is planning SpaceX mission to Mars by 2018 to learn how to land the sorts of large payloads humans would need should they ever colonize the red planet



Direct Jobs 6,500
Indirect jobs 16,200

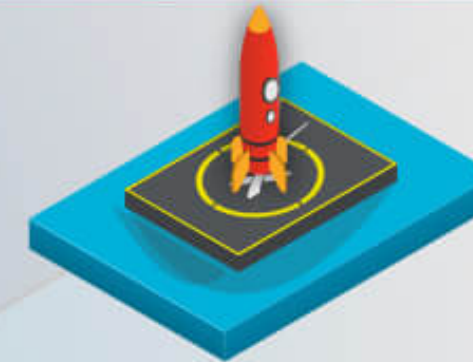
Direct Jobs 600



Value to Nevada's Economy \$97 billion

Investment in Nevada's K-12 education system \$37.5 million

Annual Salaries \$50 million



He is the chairman and chief executive officer of, the electric car manufacturer Tesla Motors which incorporates an artificial intelligence autopilot claimed to be almost twice as safe as a human driver.

He went on to found the maker of launch vehicles and spacecraft SpaceX, which succeeded in the first vertical rocket landing on a drone ship at sea in April 2016.



Elon Musk founded Zip2, that provided maps and business directories to online newspapers.



zip2

PayPal



Employees 15,800

Musk also founded an online financial services company, X.com, which later became PayPal, which specialized in transferring money online.



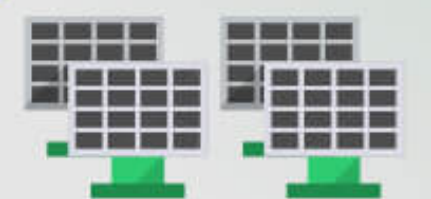
SolarCity

HYPERLOOP



New York Governor Andrew Cuomo has signed off on \$750 million in spending on building infrastructure and the facility SolarCity will operate in Buffalo

Musk likewise popularized the idea of hyperloops in 2013. The plan is to eventually hurtle train-like capsules through a tube at over 680 miles per hour.



Local Jobs 3,000

Hundreds of Jobs and great value to the citizens of California



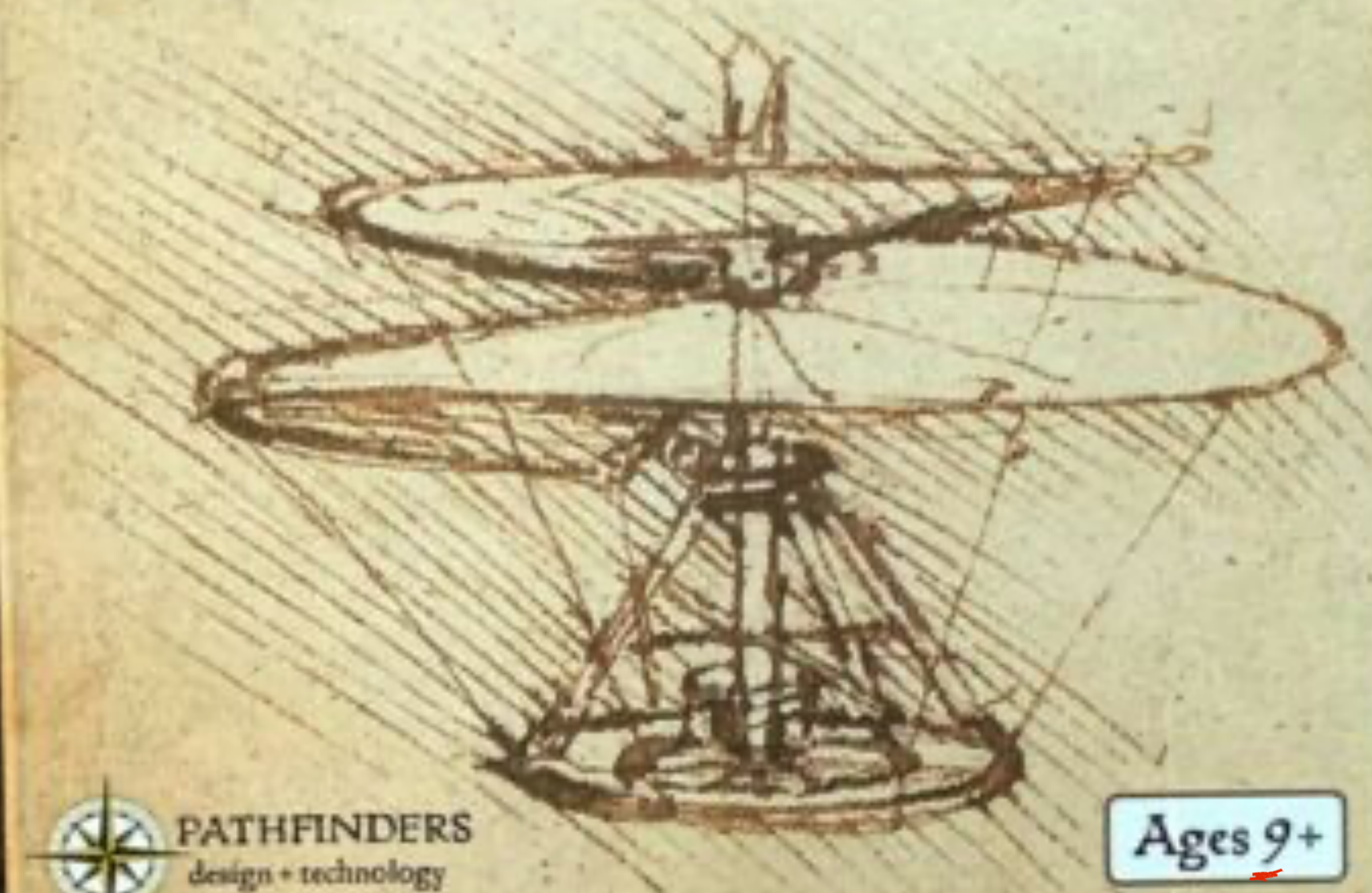
680 miles per hour.

Sources

<http://www.britannica.com/topic/Tesla-Motors>, <http://www.telegraph.co.uk/technology/2016/04/25/elon-musk-teslas-autopilot-makes-accidents-50pc-less-likely/>, <http://fortune.com/2016/03/23/elon-musk-hyperloop-las-vegas/>, <http://doinno.streetwise.co/2016/01/07/where-elon-musk-hiring-spaces-tesla-jobs-cities/>, <http://www.britannica.com/biography/Elon-Musk>, <http://www.britannica.com/topic/Compaq-Computer-Corporation>, <http://www.britannica.com/topic/SpaceX>, <http://www.bloomberg.com/news/articles/2016-04-08/musk-s-reusable-rocket-dream-comes-true-with-d>, <https://www.theguardian.com/technology/2016/apr/27/elon-musk-space-x-mars-mission-tesla>

Leonardo da Vinci Helicopter

A working re-creation of
Leonardo da Vinci's
15th Century "Aerial Screw"



H E A R!

DOCTOR



GEO. W. CARVER

**Scientist, Agricultural Chemist
Tuskegee, Institute, Tuskegee, Ala.**

on

**“Great Creator, What is a
Peanut? Why did you make it?”**

**Demonstrated Lecture showing
by-products of the Peanuts.**

SHORTER A.M.E. CHURCH

23rd and Washington Streets

Wed., February 17, '32

8:15 P. M. - ADM. 50^c

1,436 Love Hum. 1,436