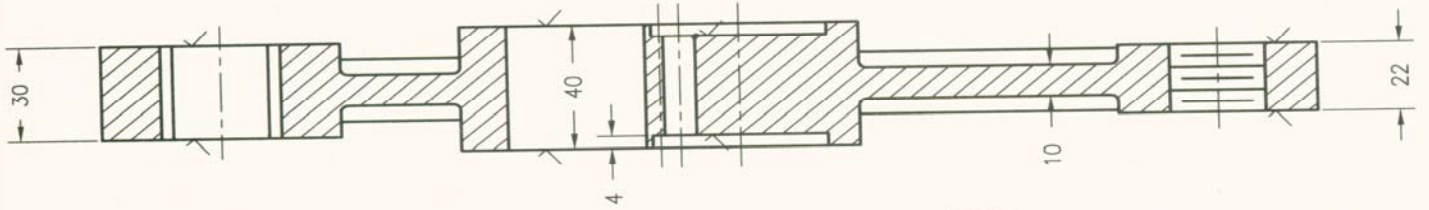
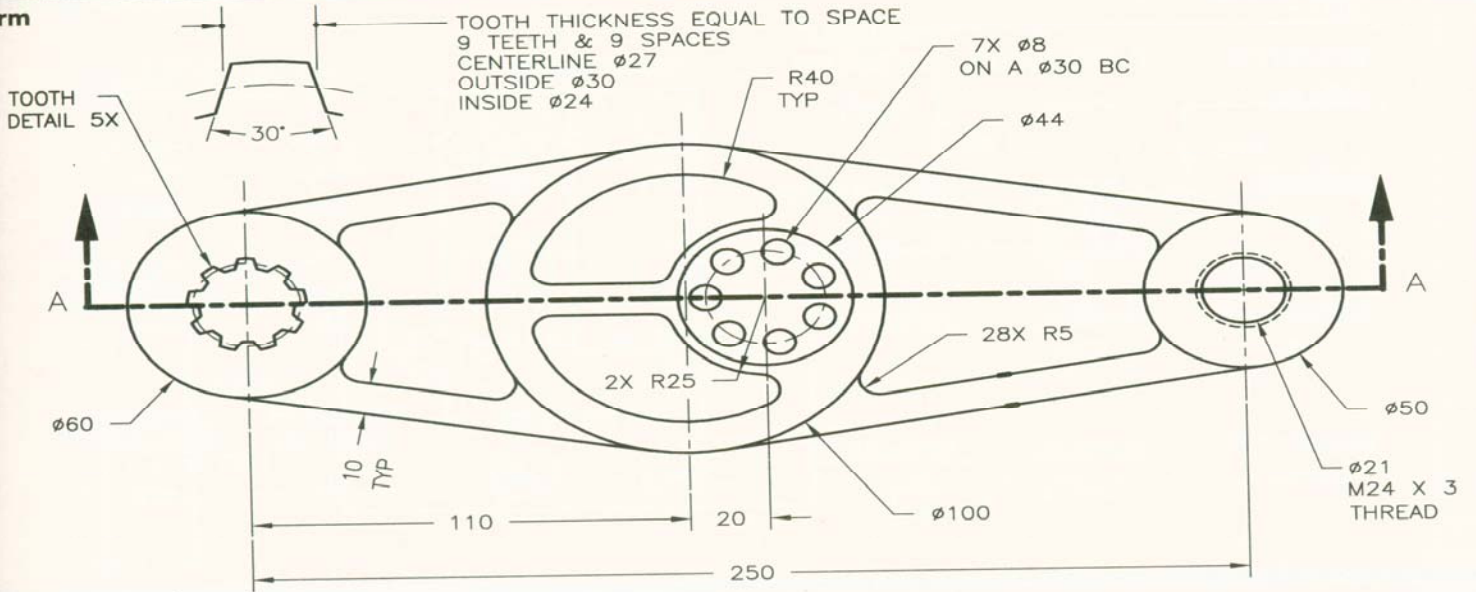


Arm



MATL: CAST IRON

SECTION A-A

NOTE:
UNMARKED FILLETS AND ROUNDS R2
SECTION VIEW IS SYMMETRICAL